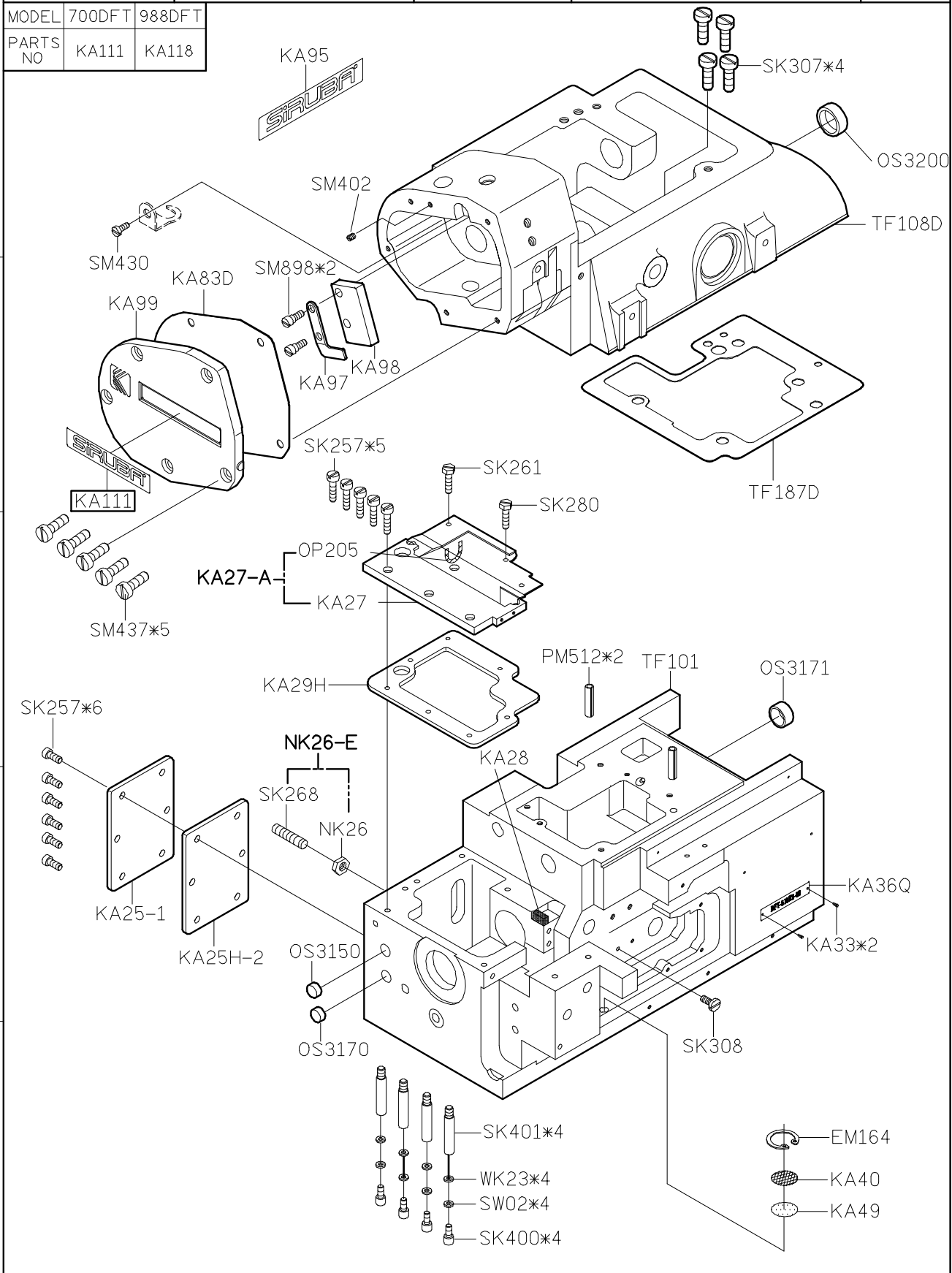


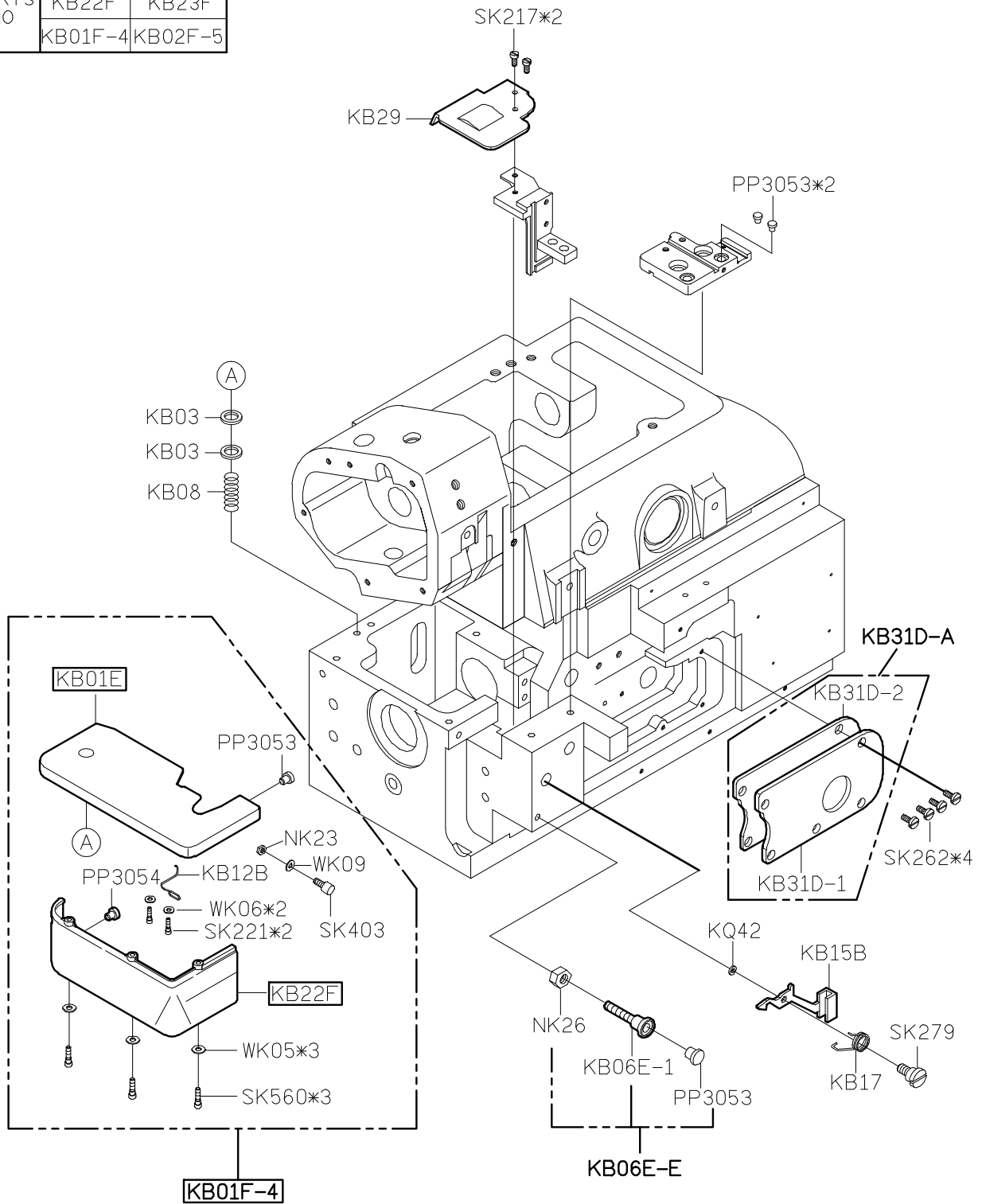
SIRUBA PARTS LIST		Series	Parts Group	Subclass / Remark	Page
		700DFT 988DFT	KA		1/1
					Date
					2013/12/23

MODEL	700DFT	988DFT
PARTS NO	KA111	KA118



SIRUBA PARTS LIST	Series		Parts Group	Subclass / Remark	Page
	700DFT 988DFT		KB		1/1
					Date 2013/12/23

MODEL	#4	#5
PARTS NO	KB01E	KB02E
	KB22F	KB23F
	KB01F-4	KB02F-5



1

2

3

4

5

SIRUBA
PARTS LIST

Series
700DFT
988DFT

Parts Group
KC

Subclass / Remark

Page

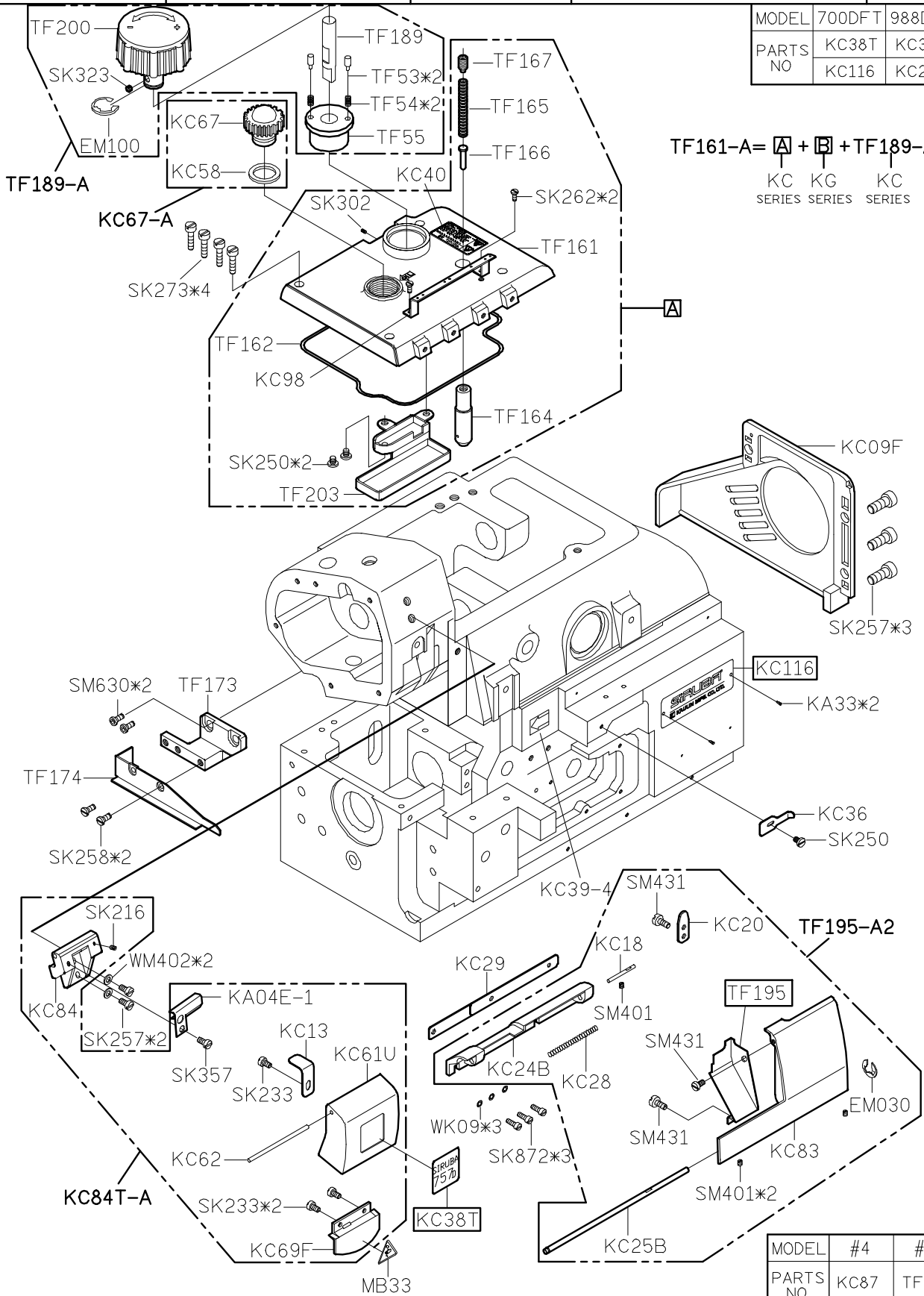
1/1

Date

2013/12/23

MODEL	700DFT	988DFT
PARTS NO	KC38T	KC38C
	KC116	KC231

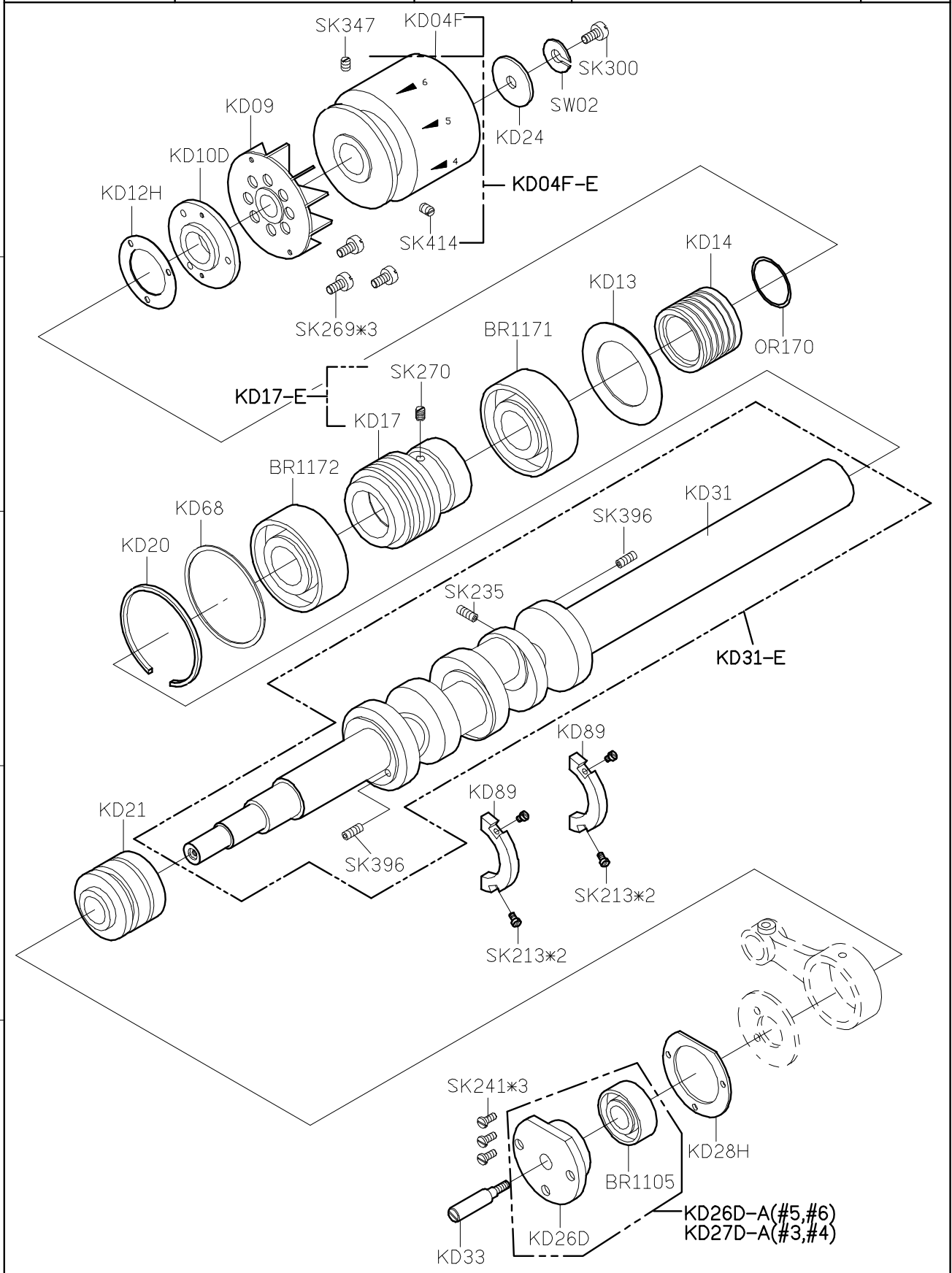
TF161-A = $\square A + \square B + TF189-A$
 KC KG KC
 SERIES SERIES SERIES



MODEL	#4	#5
PARTS NO	KC87	TF195

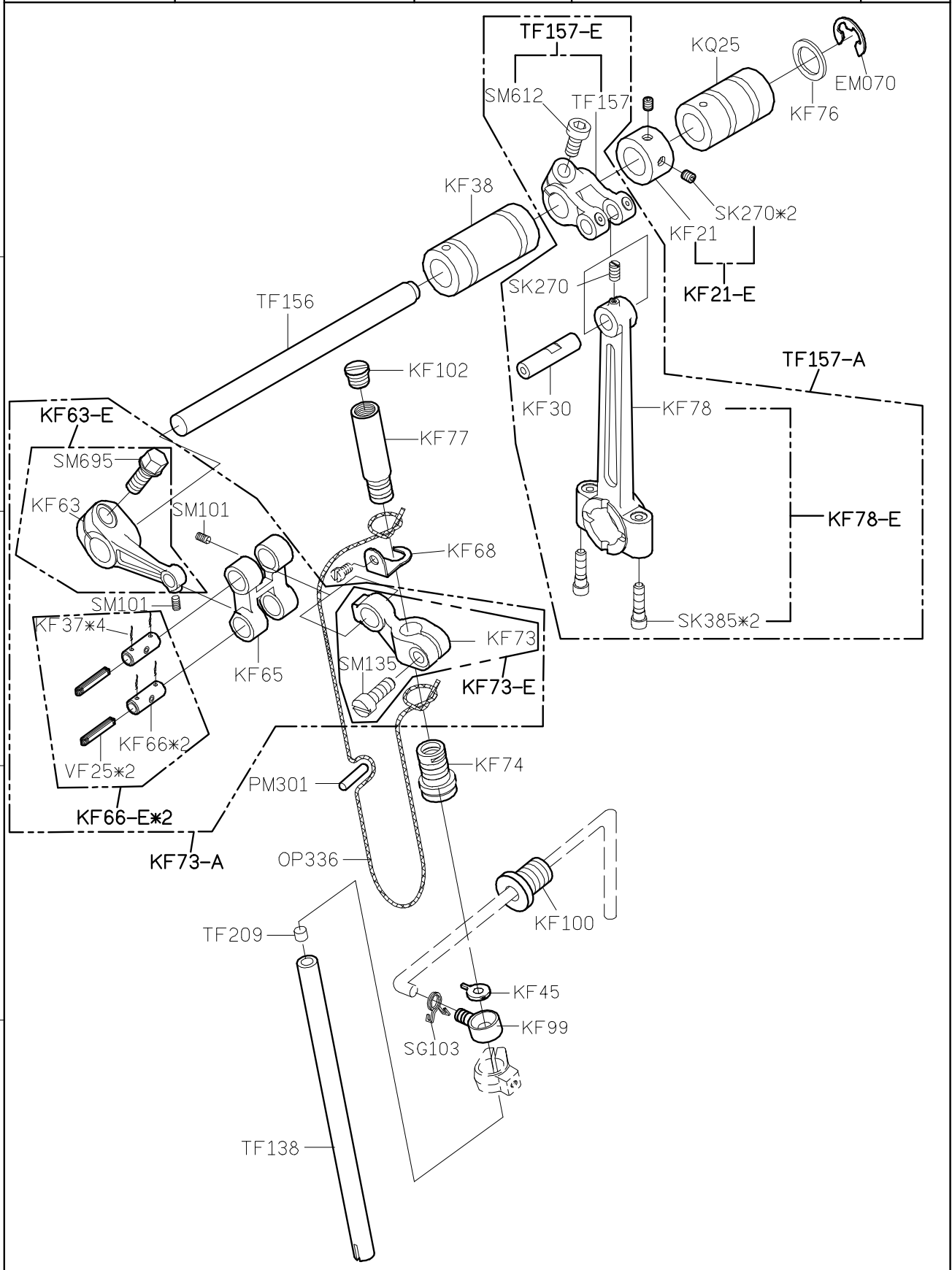
1 2 3 4 5

SIRUBA PARTS LIST	Series	Parts Group	Subclass / Remark	Page
	700DFT	KD		1/1
	988DFT			Date
				2013/12/23



1 2 3 4 5

SIRUBA PARTS LIST	Series	Parts Group	Subclass / Remark	Page
	700DFT 988DFT	KF		1/1
				Date
				2013/12/23



1

2

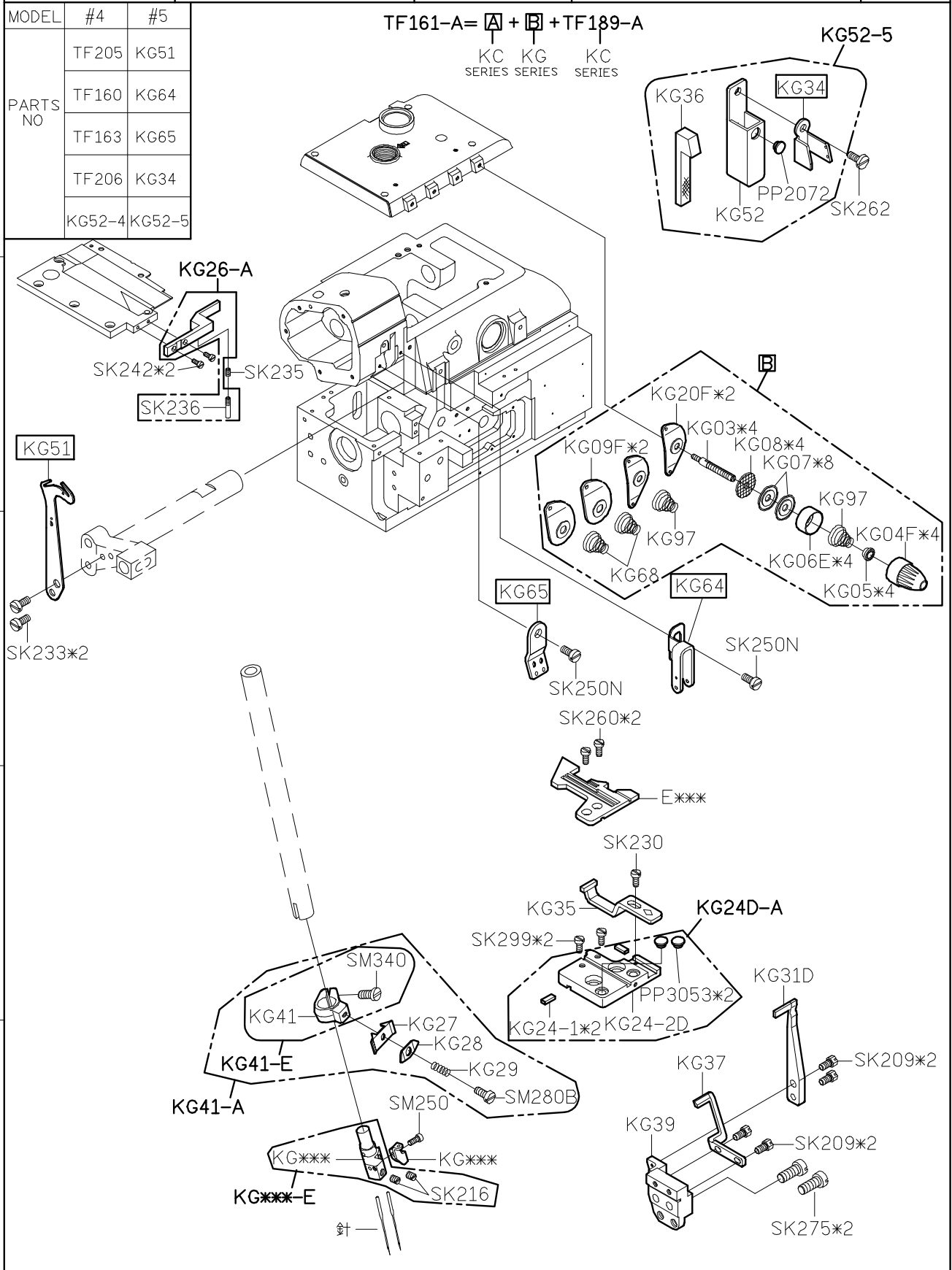
3

4

5

SIRUBA PARTS LIST		Series	Parts Group	Subclass / Remark	Page
		700DFT 988DFT	KG		1/1
				Date	2013/12/23

MODEL	#4	#5
PARTS NO	TF205	KG51
	TF160	KG64
	TF163	KG65
	TF206	KG34
	KG52-4	KG52-5



1

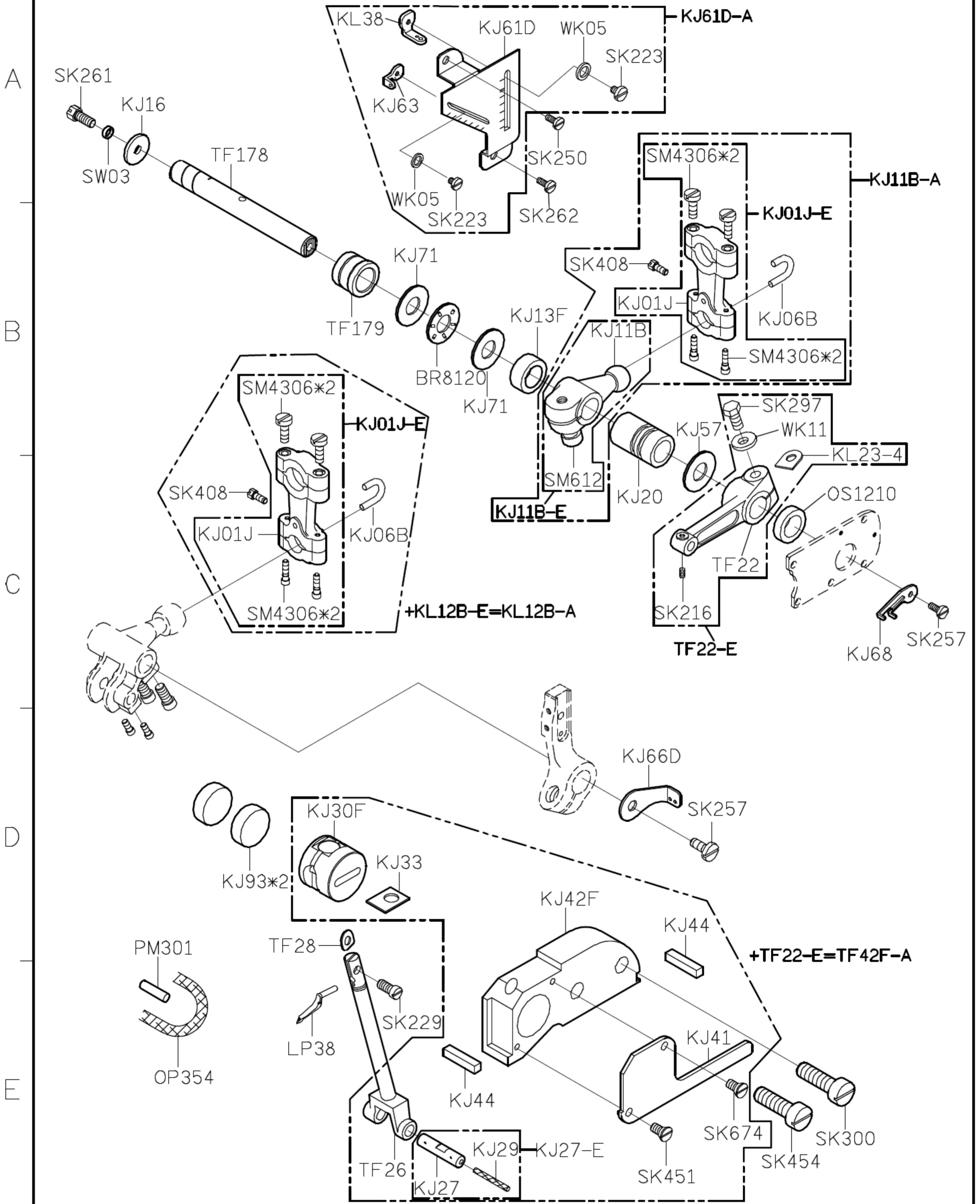
2

3

4

5

SIRUBA PARTS LIST	Series	Parts Group	Subclass / Remark	Page
	700DFT	KJ		1/1
	988DFT			Date
				2016/05/06



1

2

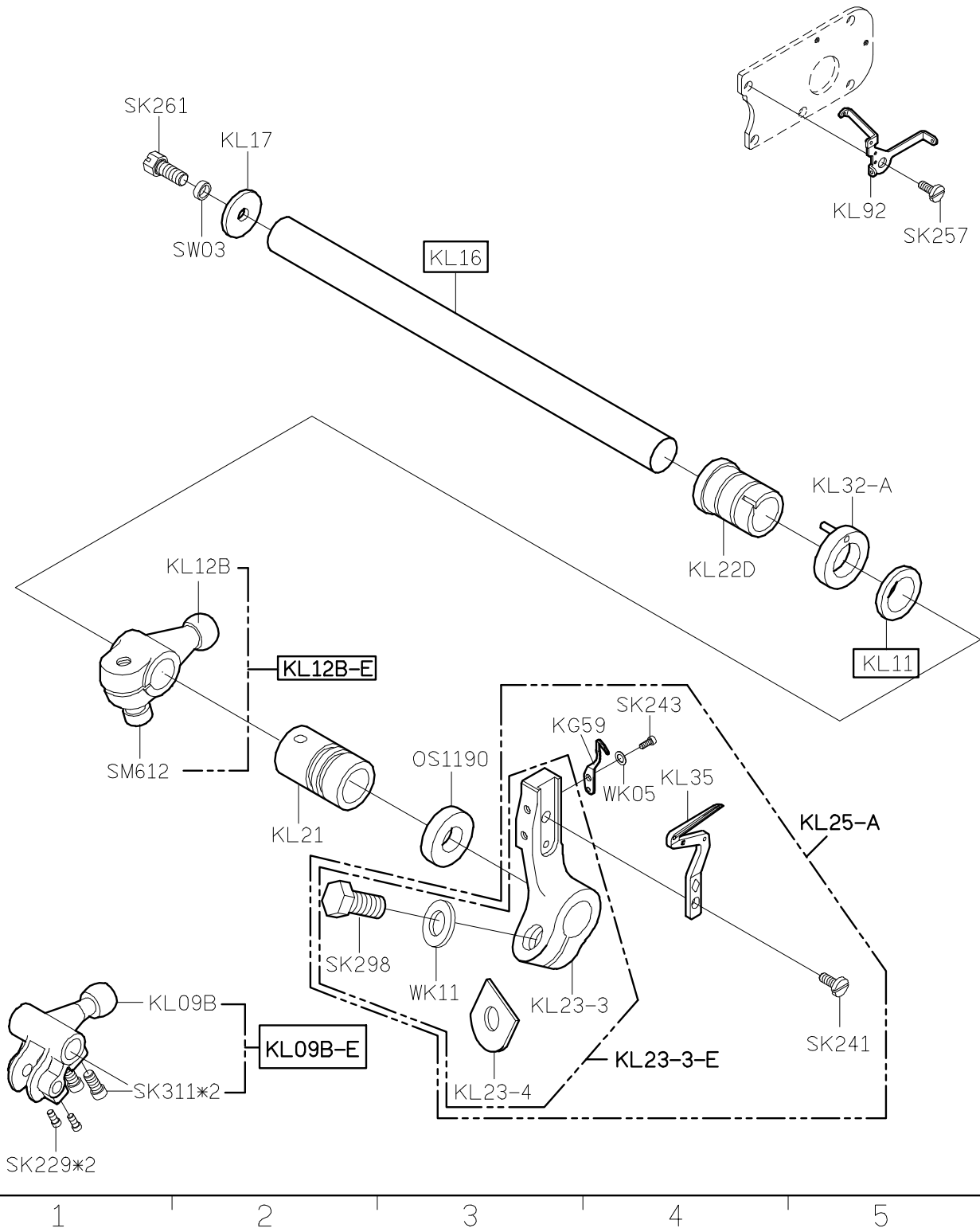
3

4

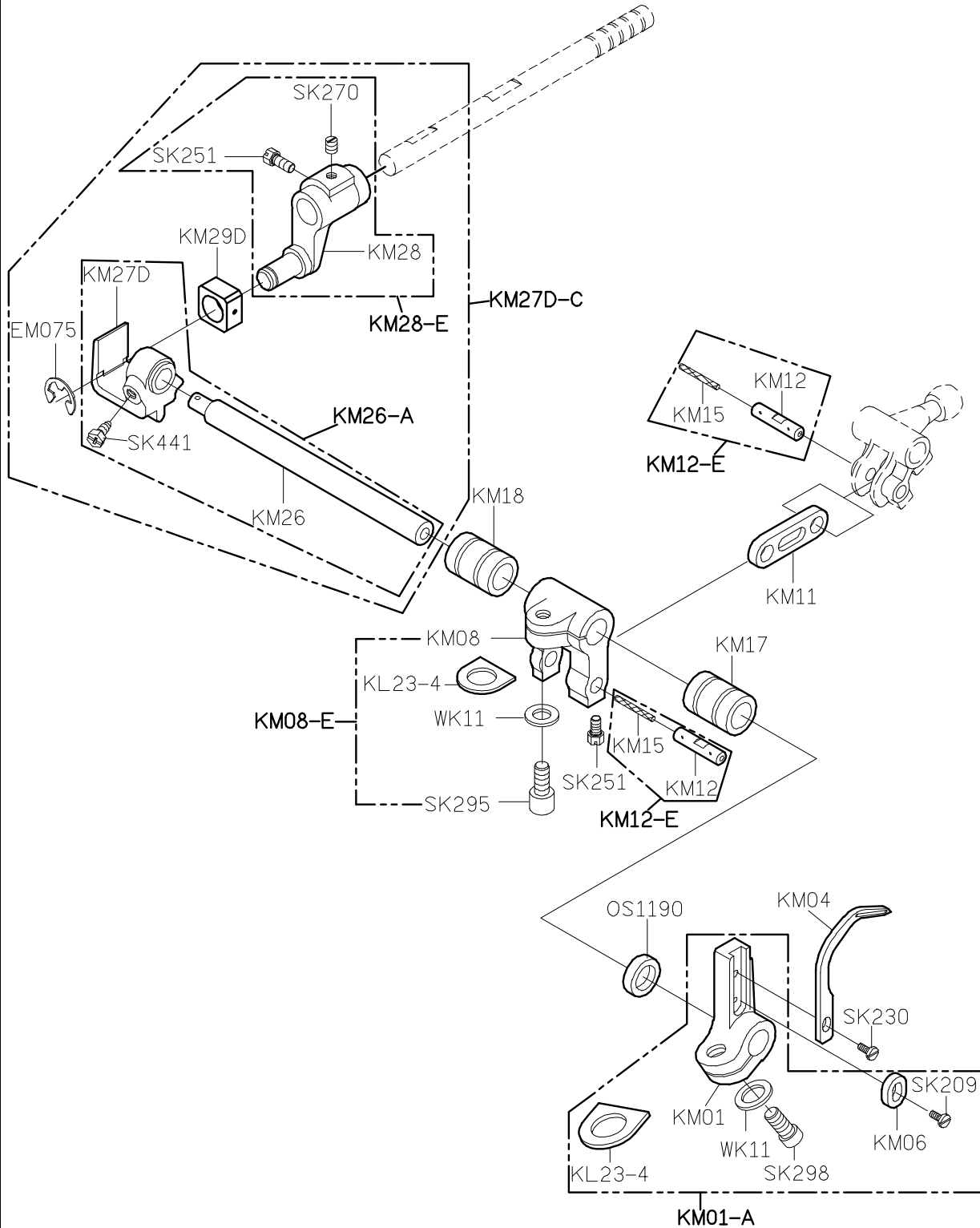
5

SIRUBA PARTS LIST	Series		Parts Group	Subclass / Remark	Page
	700DFT 988DFT		KL		1/1
					Date
					2013/12/23

MODEL	#4	#5
PARTS NO	KL57	KL16
	KL15	KL11
	KL12B-E	KL09B-E



SIRUBA PARTS LIST	Series	Parts Group	Subclass / Remark	Page
	700DFT	KM		1/1
	988DFT			Date
				2013/12/23



1

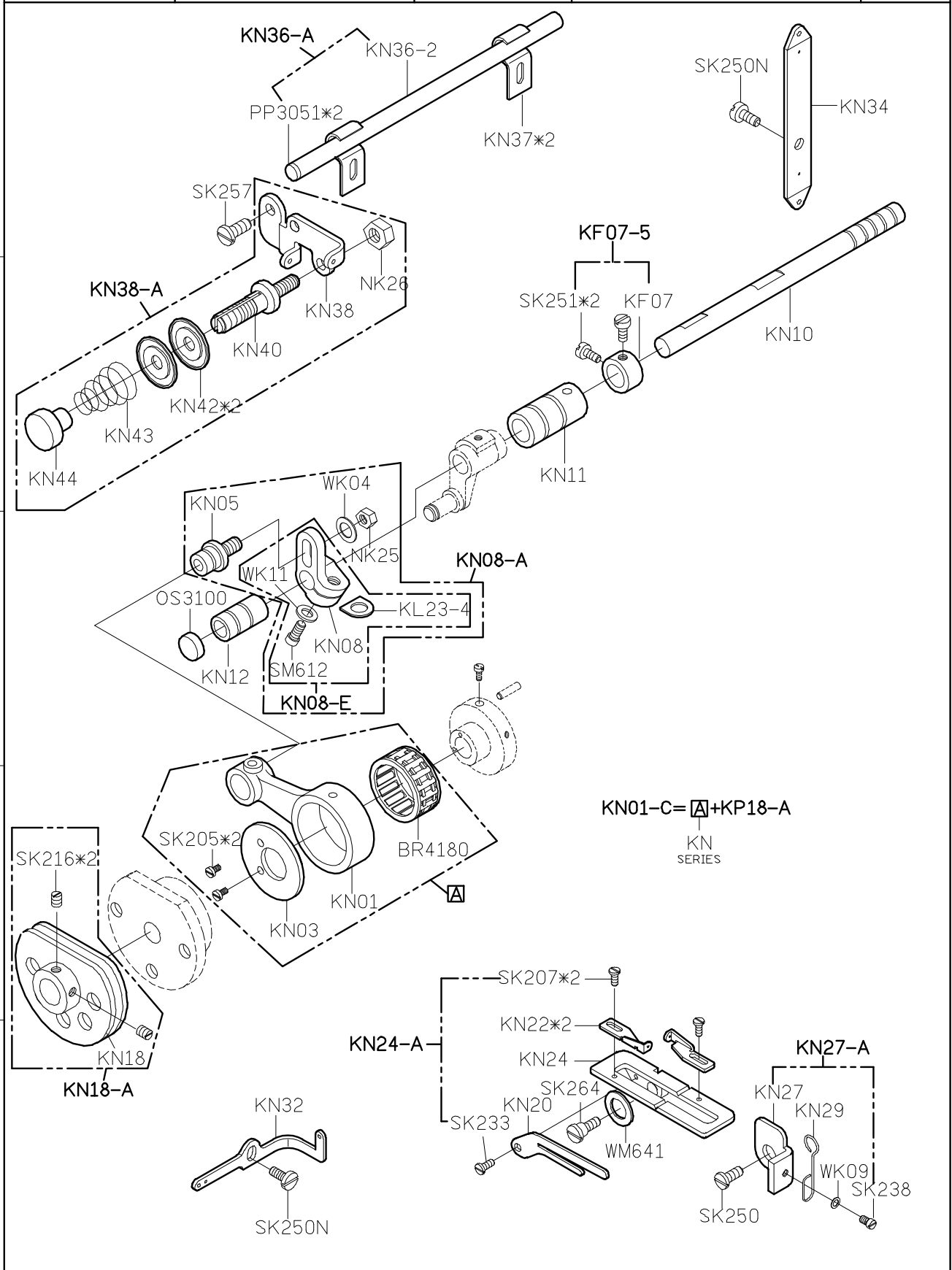
2

3

4

5

SIRUBA PARTS LIST	Series	Parts Group	Subclass / Remark	Page
	700DFT	KN		1/1
	988DFT			Date
				2013/12/23



1

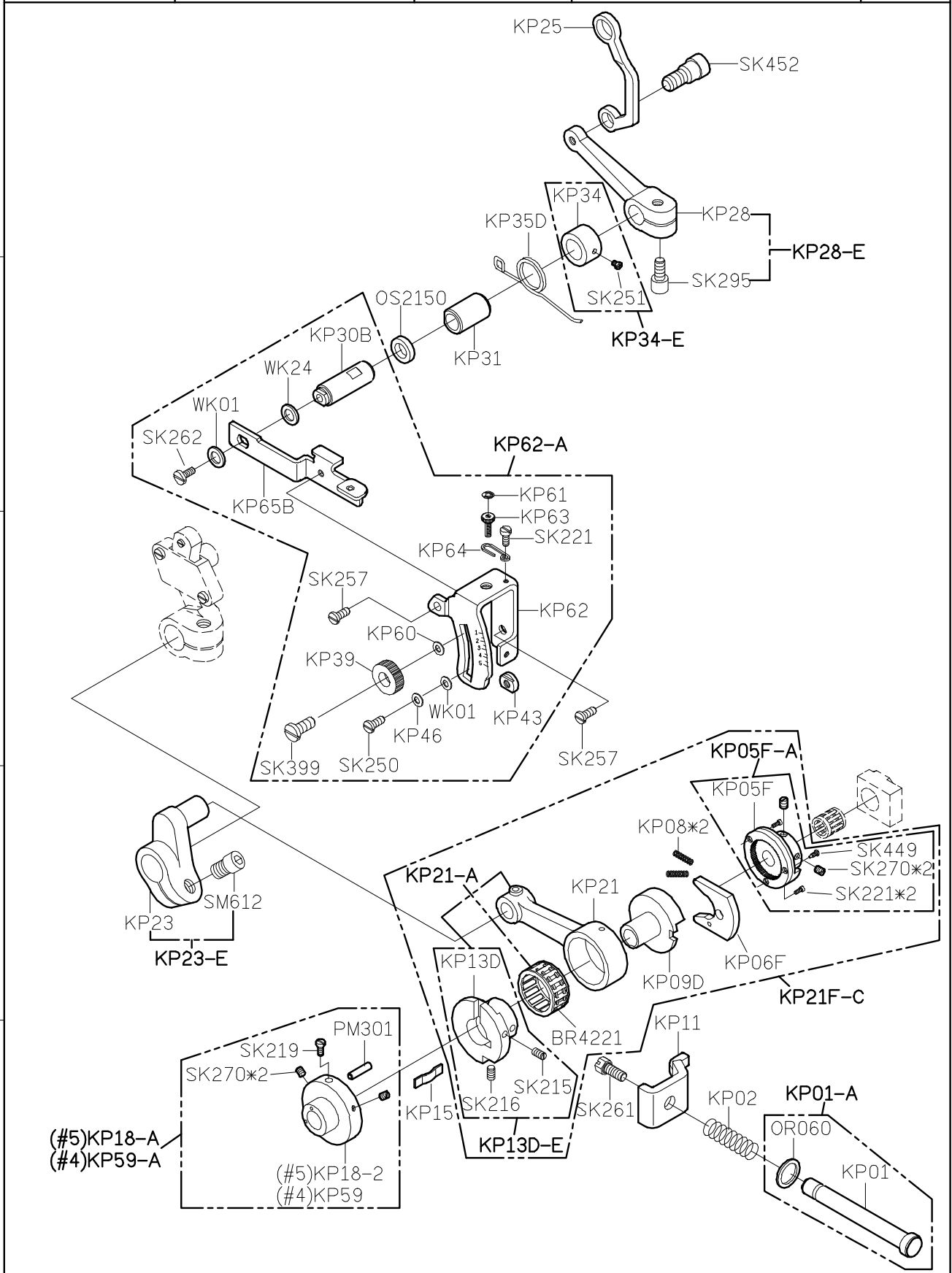
2

3

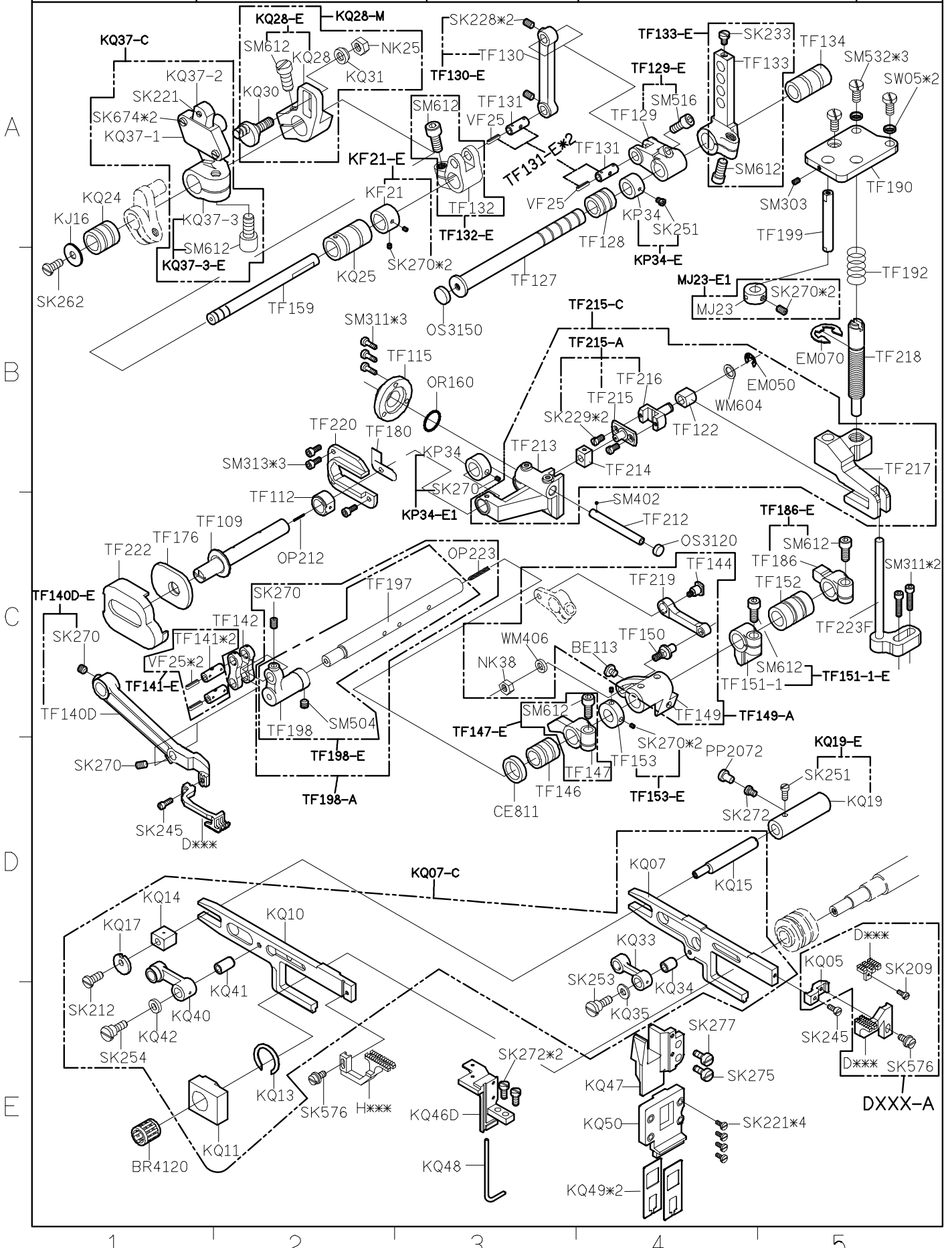
4

5

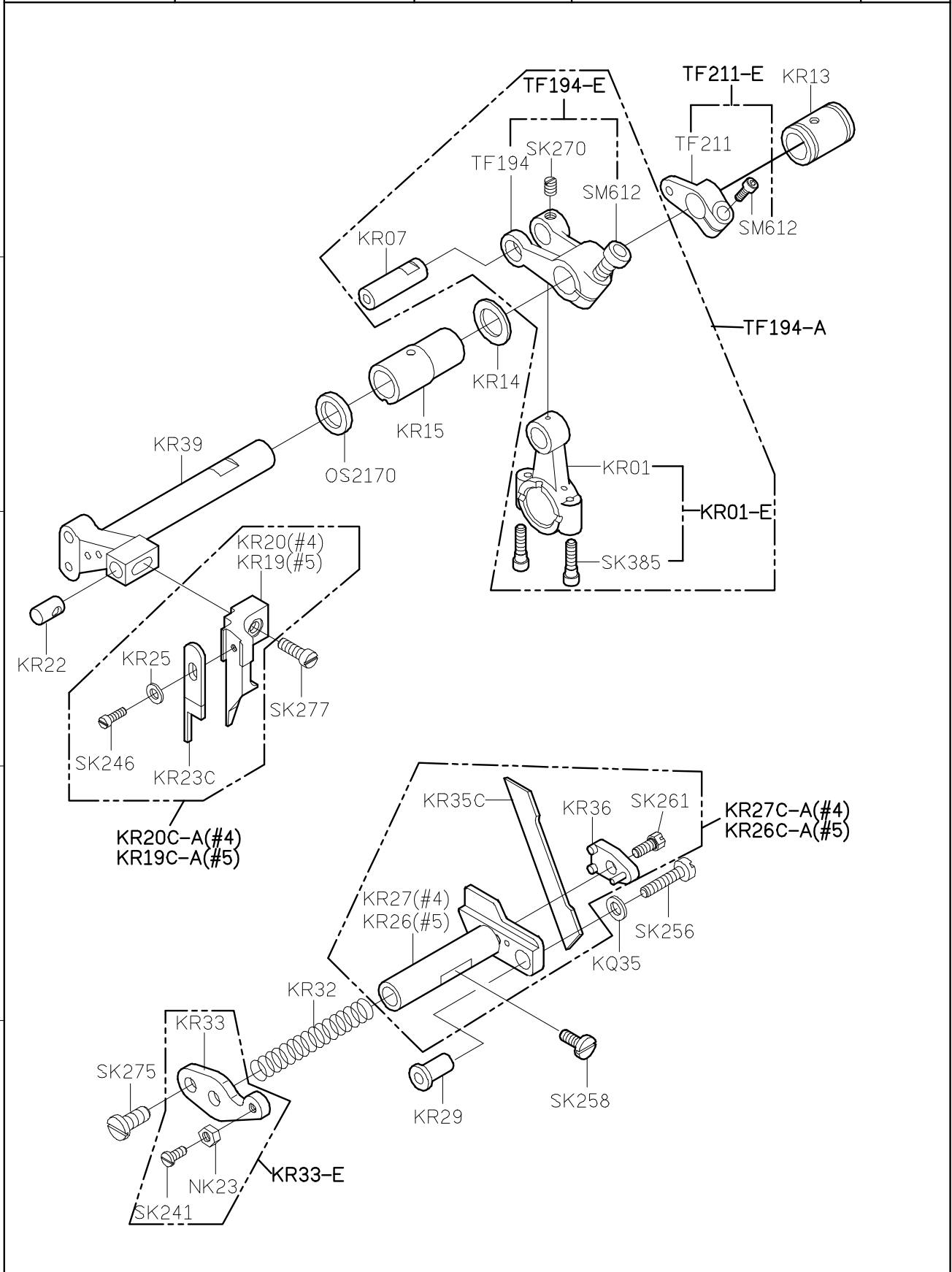
SIRUBA PARTS LIST	Series	Parts Group	Subclass / Remark	Page
	700DFT	KP		1/1
	988DFT			Date
				2013/12/23



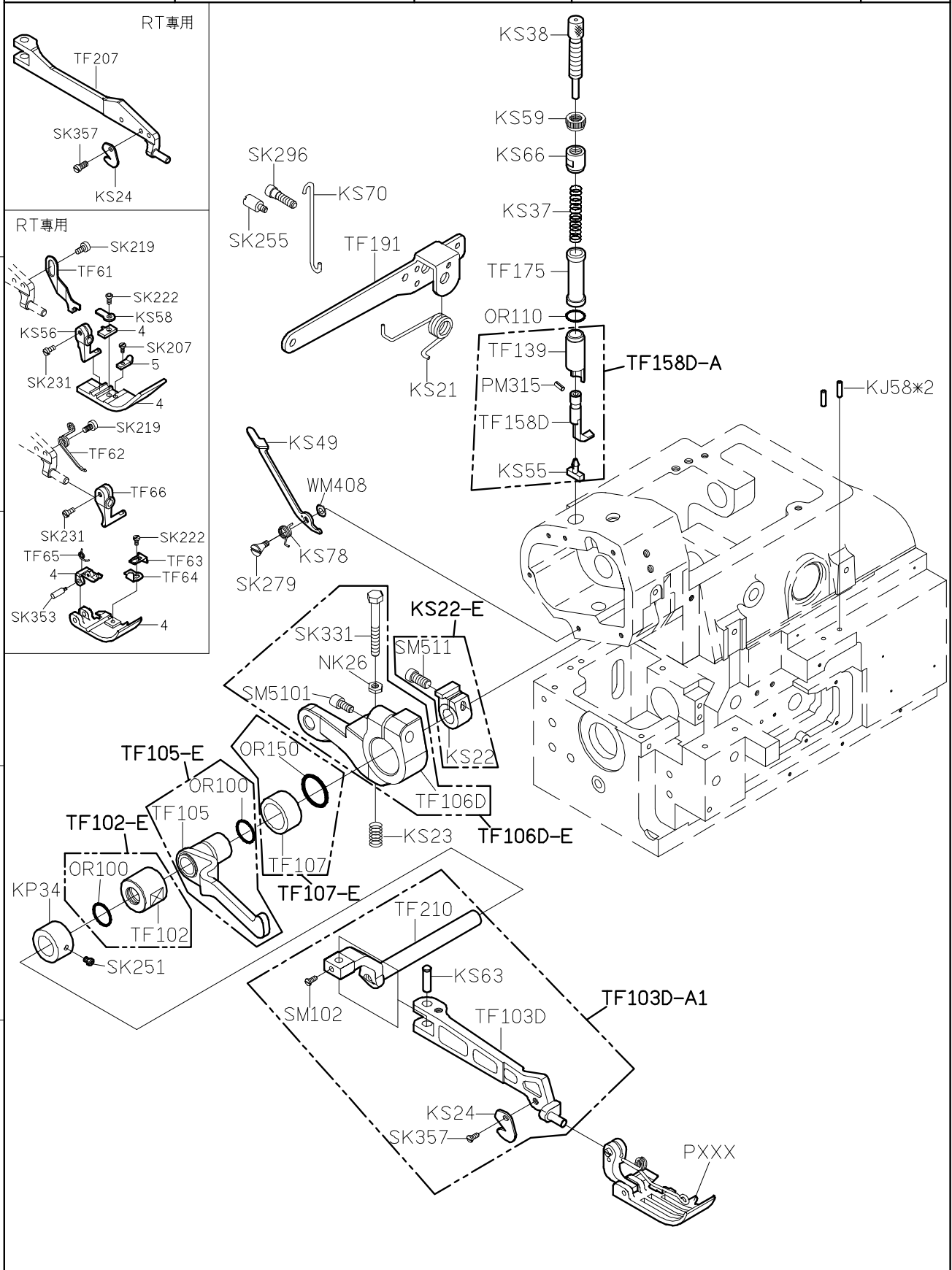
1 2 3 4 5



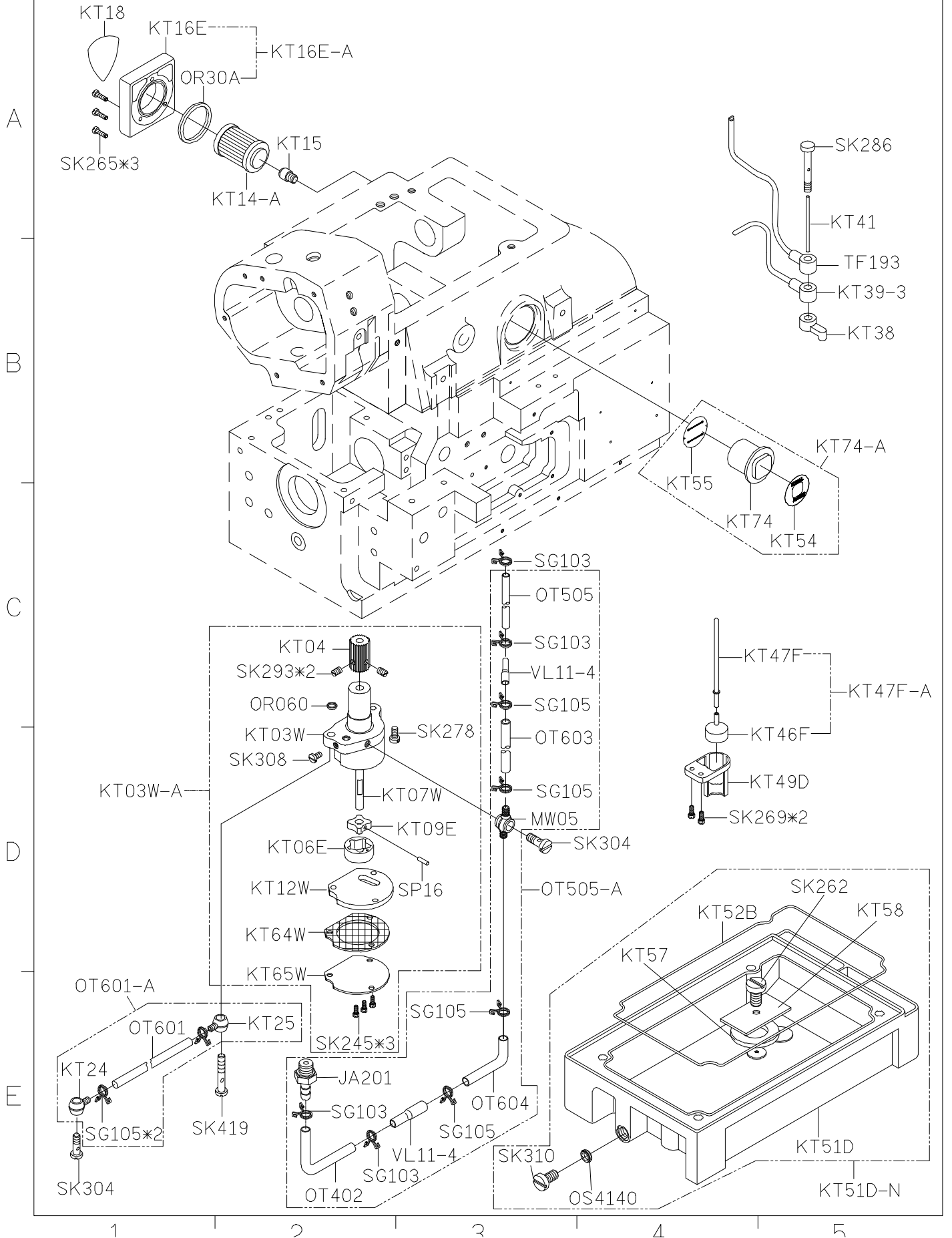
SIRUBA PARTS LIST	Series	Parts Group	Subclass / Remark	Page
	700DFT 988DFT	KR		1/1
				Date
				2013/12/23



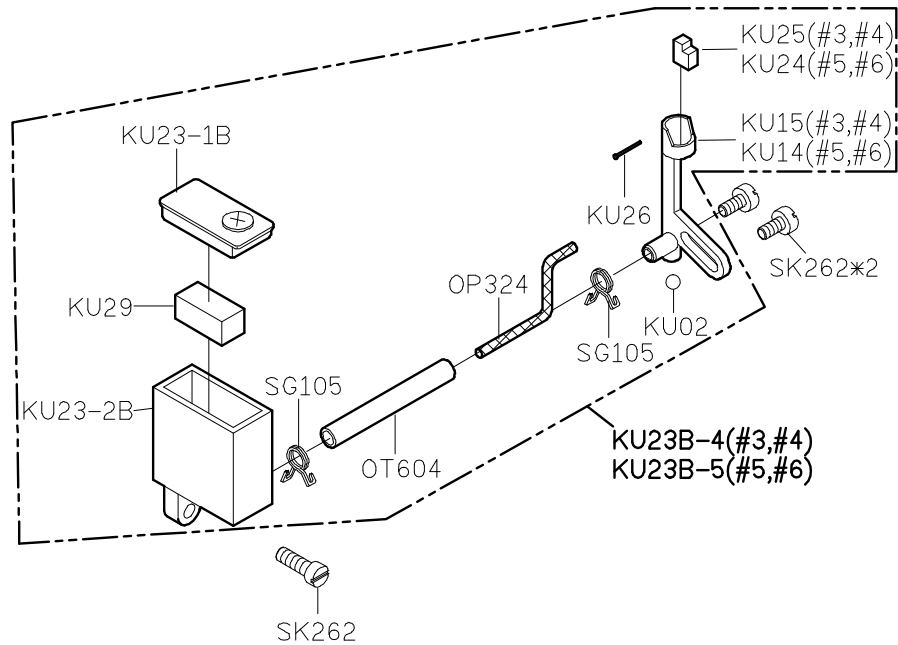
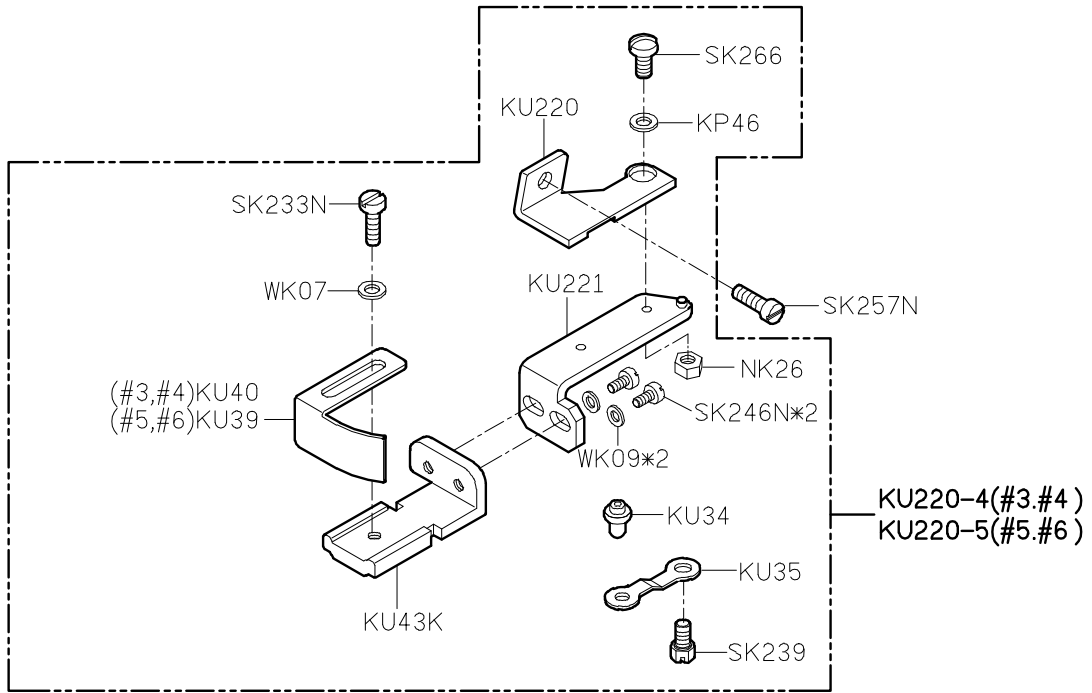
SIRUBA PARTS LIST	Series	Parts Group	Subclass / Remark	Page
	700DFT 988DFT	KS		1/1
				Date
				2013/12/23



1 2 3 4 5



SIRUBA PARTS LIST	Series	Parts Group	Subclass / Remark	Page
	700DFT	KU		1/1
	988DFT			Date
				2013/12/23



1

2

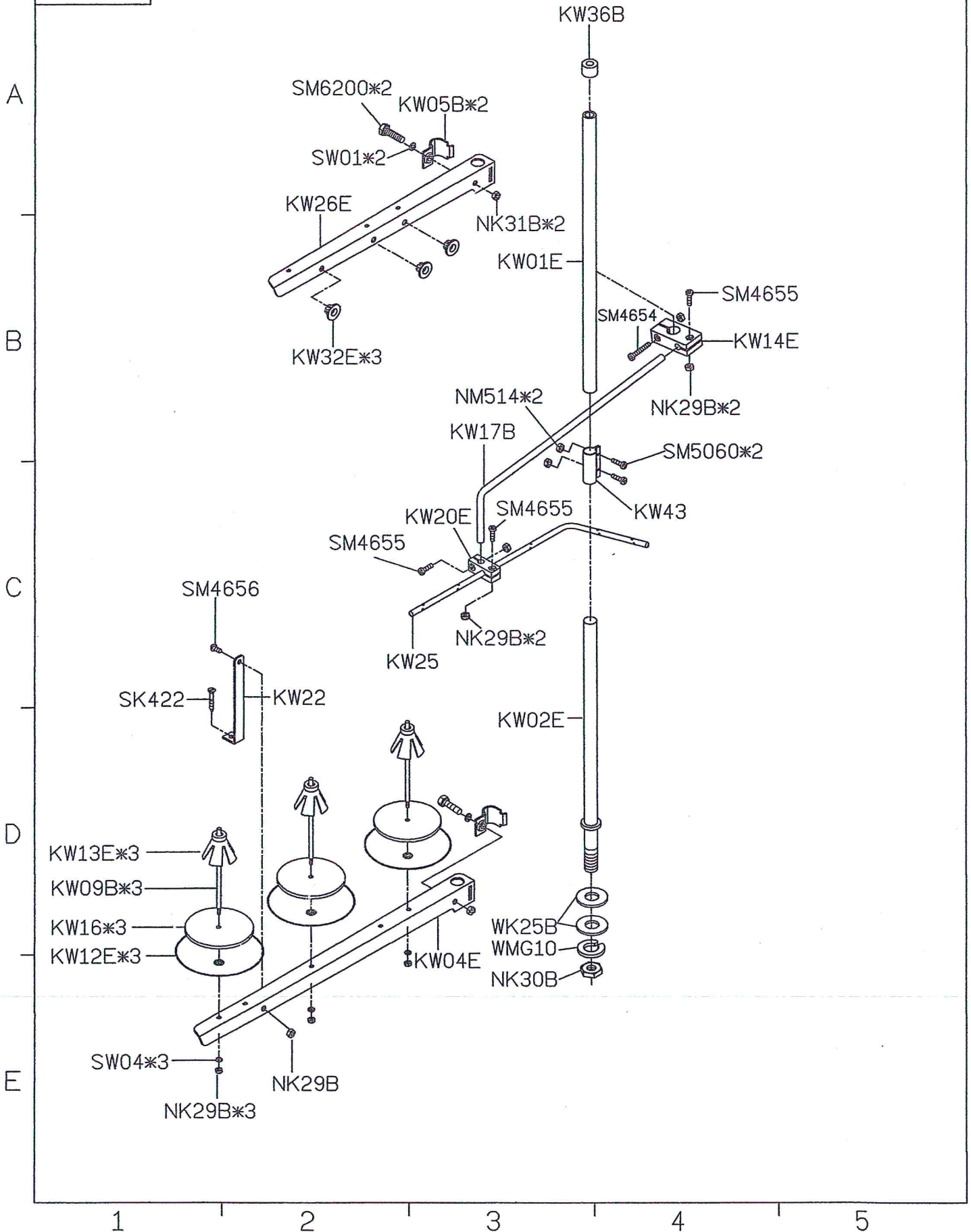
3

4

5

SIRUBA PARTS LIST	Series	Parts Group	Subclass / Remark	Page
	拷克	KW		1/4
	Overlock			Date
	含MO6800系列			2022/07/11

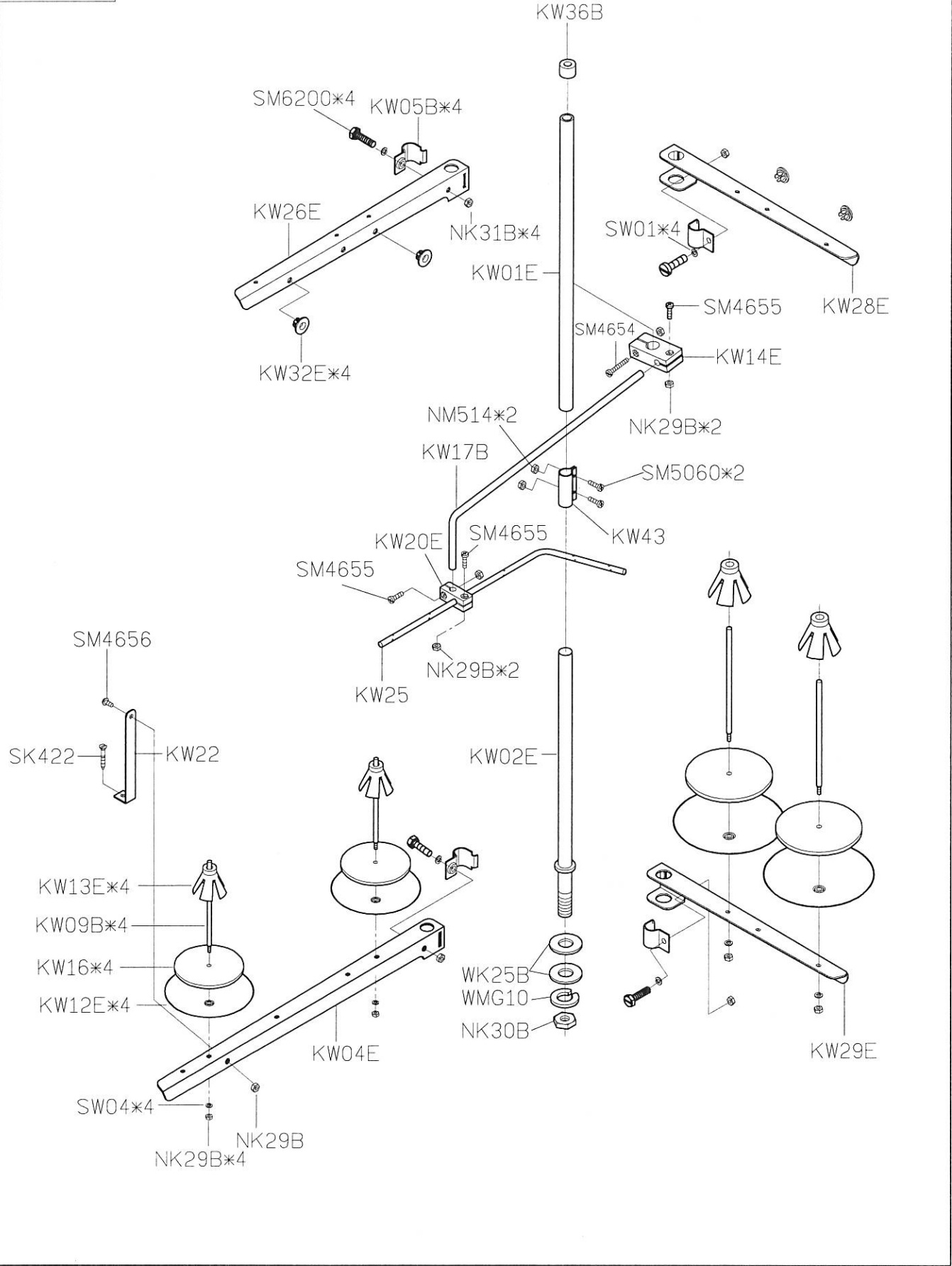
KW40E-3



SIRUBA PARTS LIST	Series	Parts Group	Subclass / Remark	Page
	拷克	KW		2/4
	Overlock			Date
	含MO6800系列			2022/07/11

KW40E-4

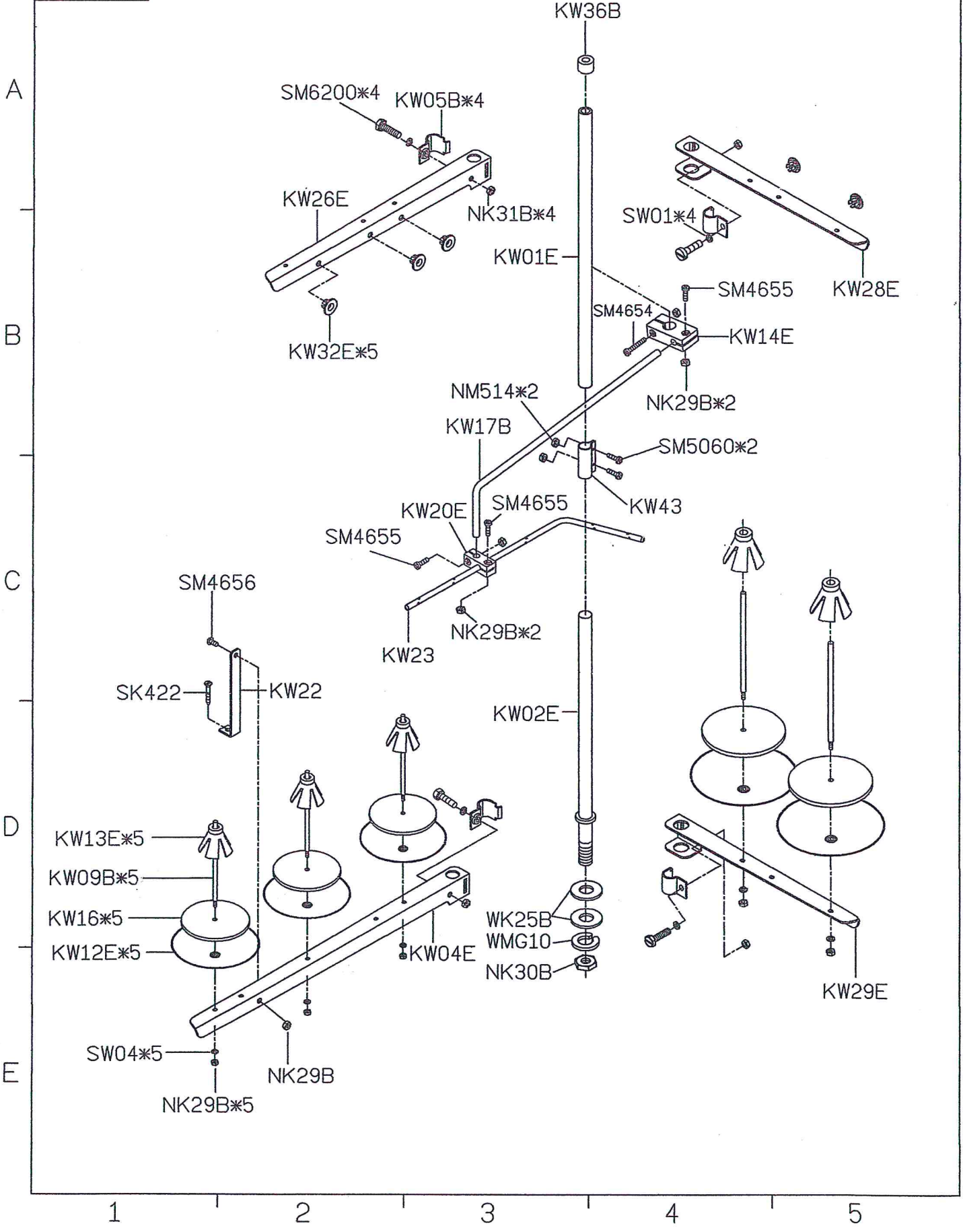
A
B
C
D
E



1 2 3 4 5

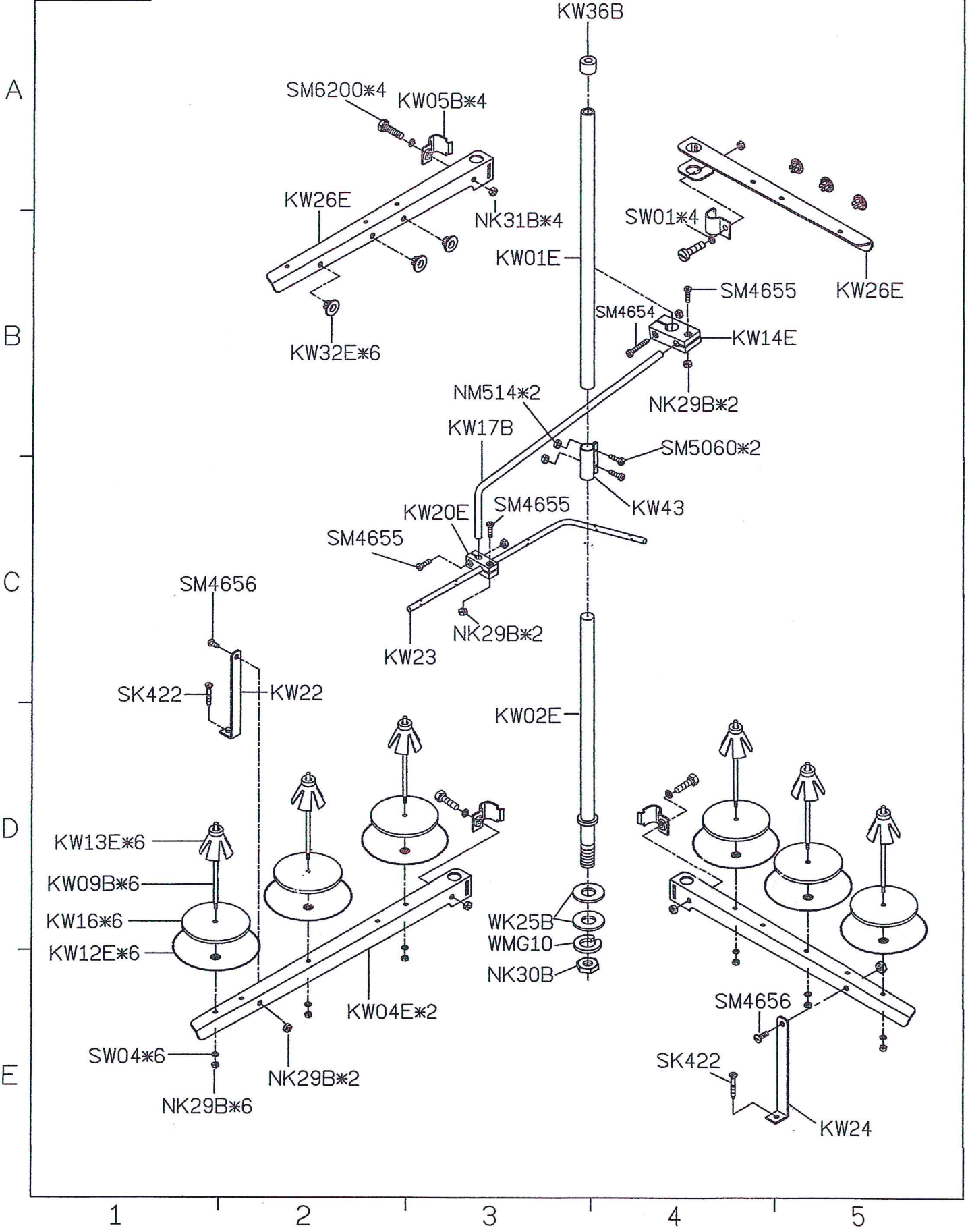
SIRUBA PARTS LIST	Series	Parts Group	Subclass / Remark	Page
	拷克	KW		3/4
	Overlock			Date
	含MO6800系列			2022/07/11

KW40E-5

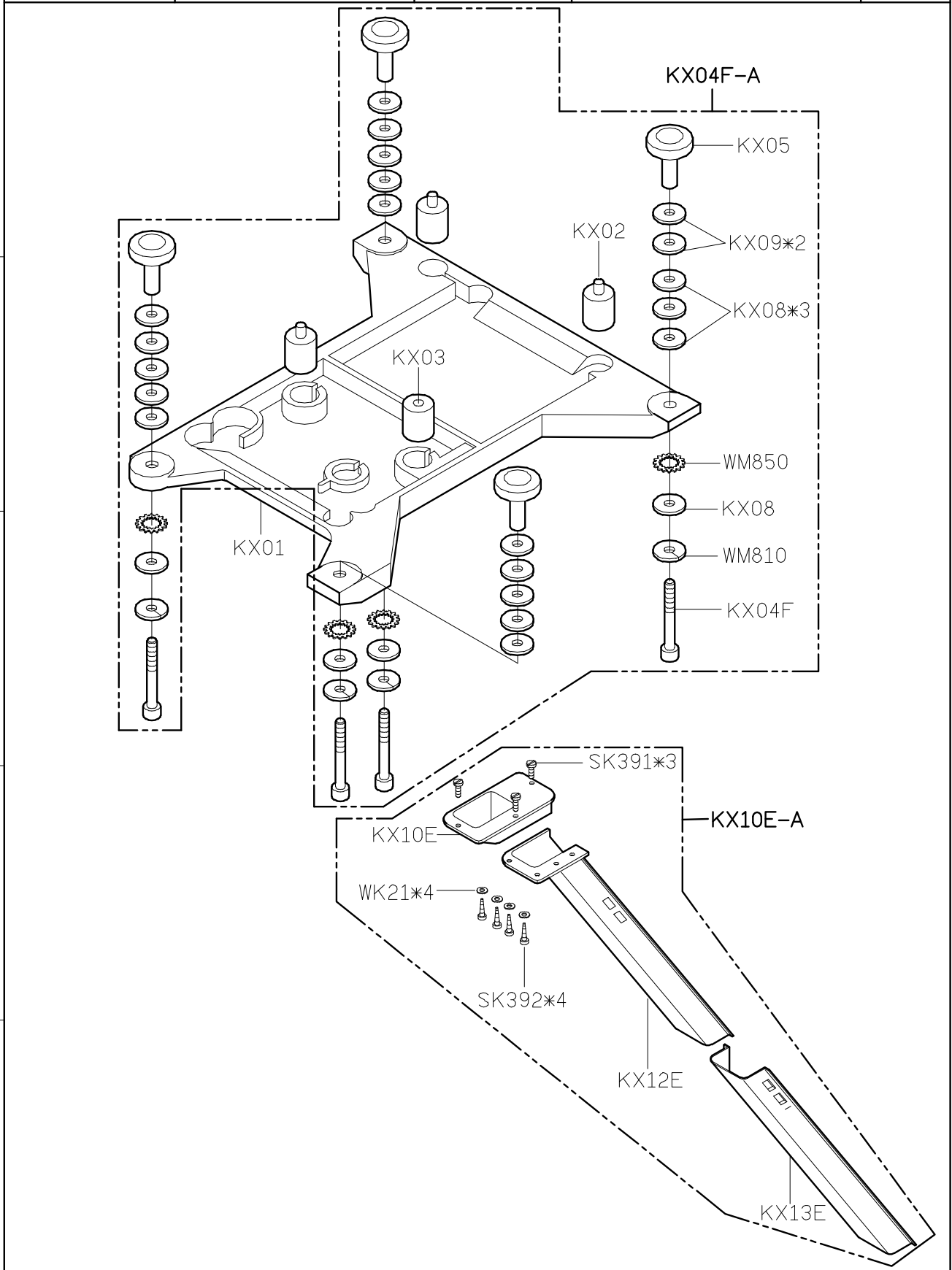


SIRUBA PARTS LIST	Series	Parts Group	Subclass / Remark	Page
	拷克	KW		4/4
	Overlock			Date
	含MO6800系列			2022/07/11

KW40E-6



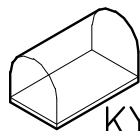
SIRUBA PARTS LIST	Series	Parts Group	Subclass / Remark	Page
	700DFT 988DFT	KX		1/1
				Date
				2013/12/23



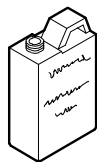
1 2 3 4 5

SIRUBA PARTS LIST	Series	Parts Group	Subclass / Remark	Page
	700DFT	KY		1/1
	988DFT			Date
				2013/12/23

KY01
防塵罩



KY02-A
油罐



KY03
油壺



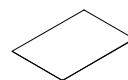
KY04
漏斗



KY05
油壺



KY30
針板紙



KY23-A

KY23
內六角板手

KY09
開口板手

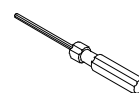
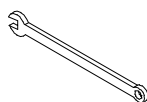
KY10
六角板手

KY10-A

KY11
六角板手

KY12
六角板手

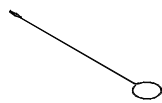
KY14
內六角螺絲起子



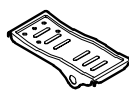
KY18
鑷子



KY19
穿線器



KY20D-A
腳踏板



KY21-A/MY21
鉤子/鍊條



KY201
工具袋



KR35
下刀片



KT14-A
濾油器



KZ03
乾燥劑



針*5
針



KZ15/KZ15-1
使用說明書



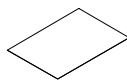
SK216
螺絲



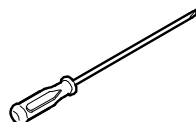
MY11
六角板手



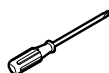
KY30
針板紙



LY33
一字起子



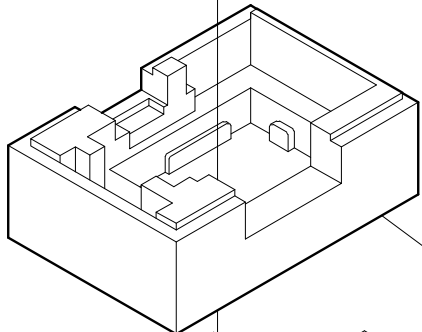
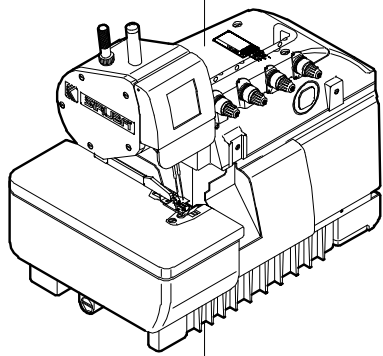
LY34
一字起子



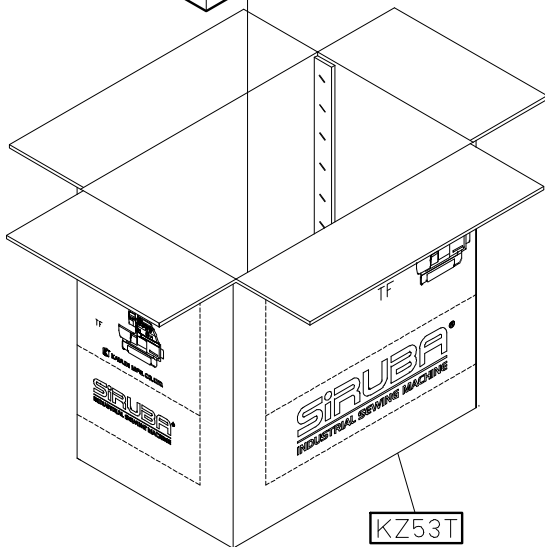
LY33-A

SIRUBA PARTS LIST	Series 700DFT 988DFT		Parts Group KZ	Subclass / Remark	Page 1/1 Date 2013/12/23
	MODEL 700DFT 988DFT				
	PARTS NO KZ53T KZ53L				

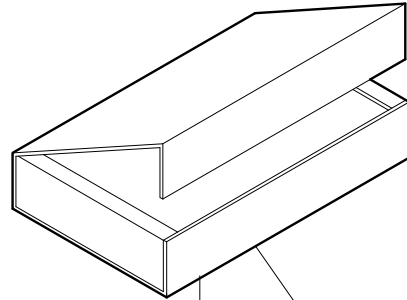
MODEL	700DFT	988DFT
PARTS NO	KZ53T	KZ53L



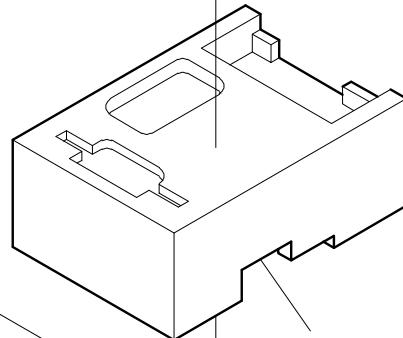
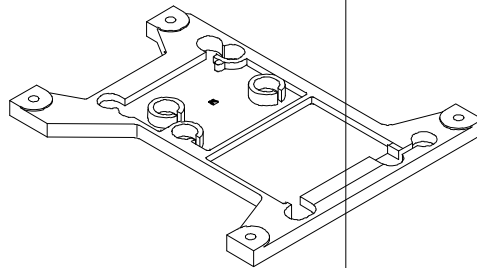
KZ26F-3



KZ53T



KW40E-5



KZ26T-1

1

2

3

4

5

SIRUBA
TABLE
CUT - OUT

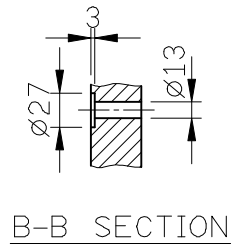
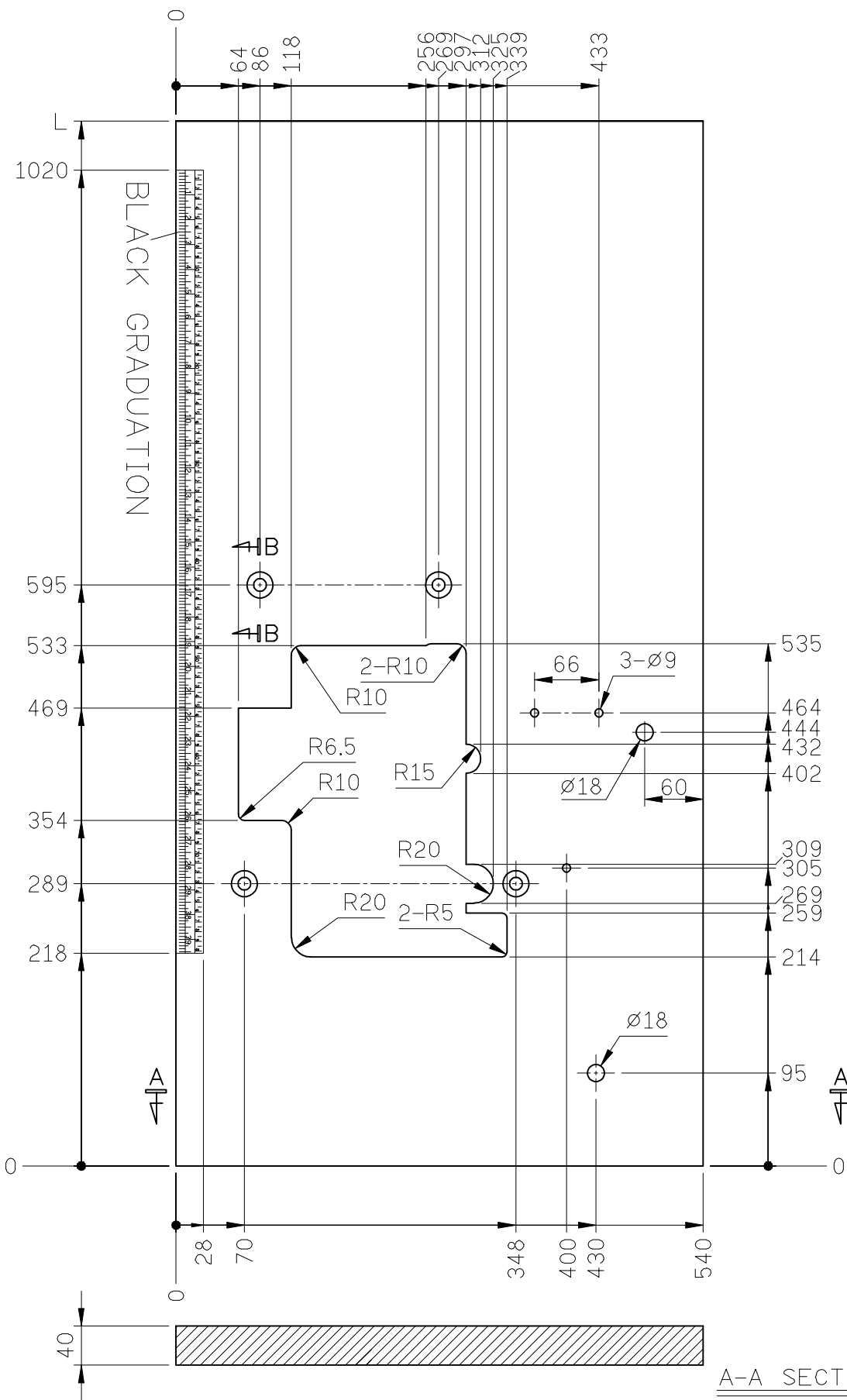
Series
700F/UX/DFT
DRT/600K/KD

Item Code
747-T

Subclass Remark

Mounting
Non-submerged
Date
2015/03/24

單位/UNIT:mm
所有尺寸公差/TOLERANCE:±2
長度(L):1070/
重量(W):10.5kg±5%
長度(L):1200/
重量(W):11.5kg±5%



A-A SECTION

SIRUBA
TABLE
CUT - OUT

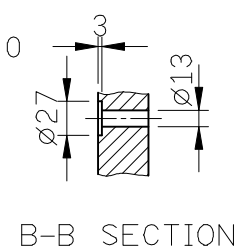
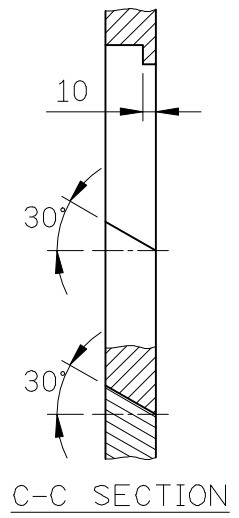
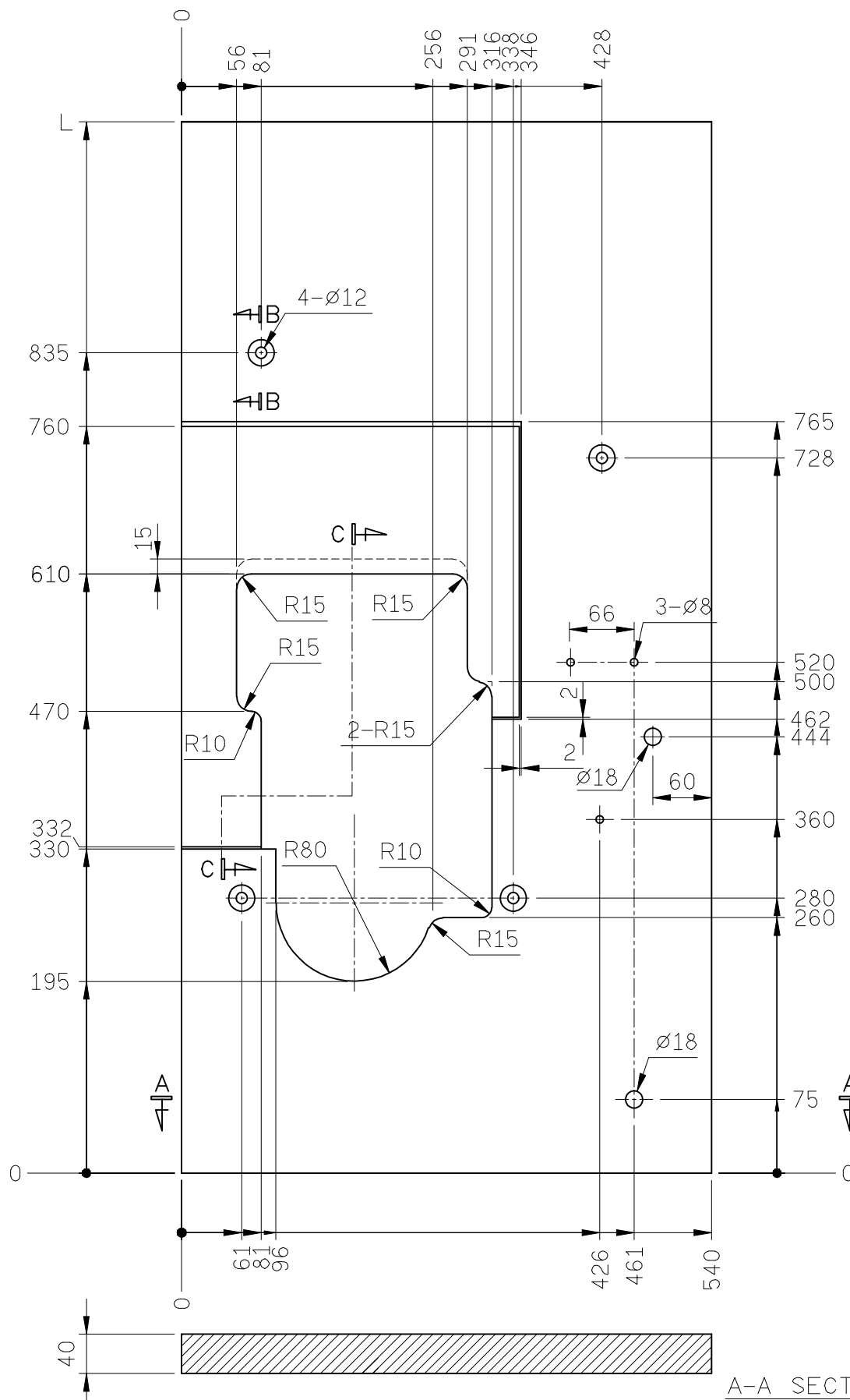
Series
700F/UX/DFT
DRT/600K/KD

Item Code
747-T1

Subclass Remark
需配TB-A
600K/KD需配TB-A1

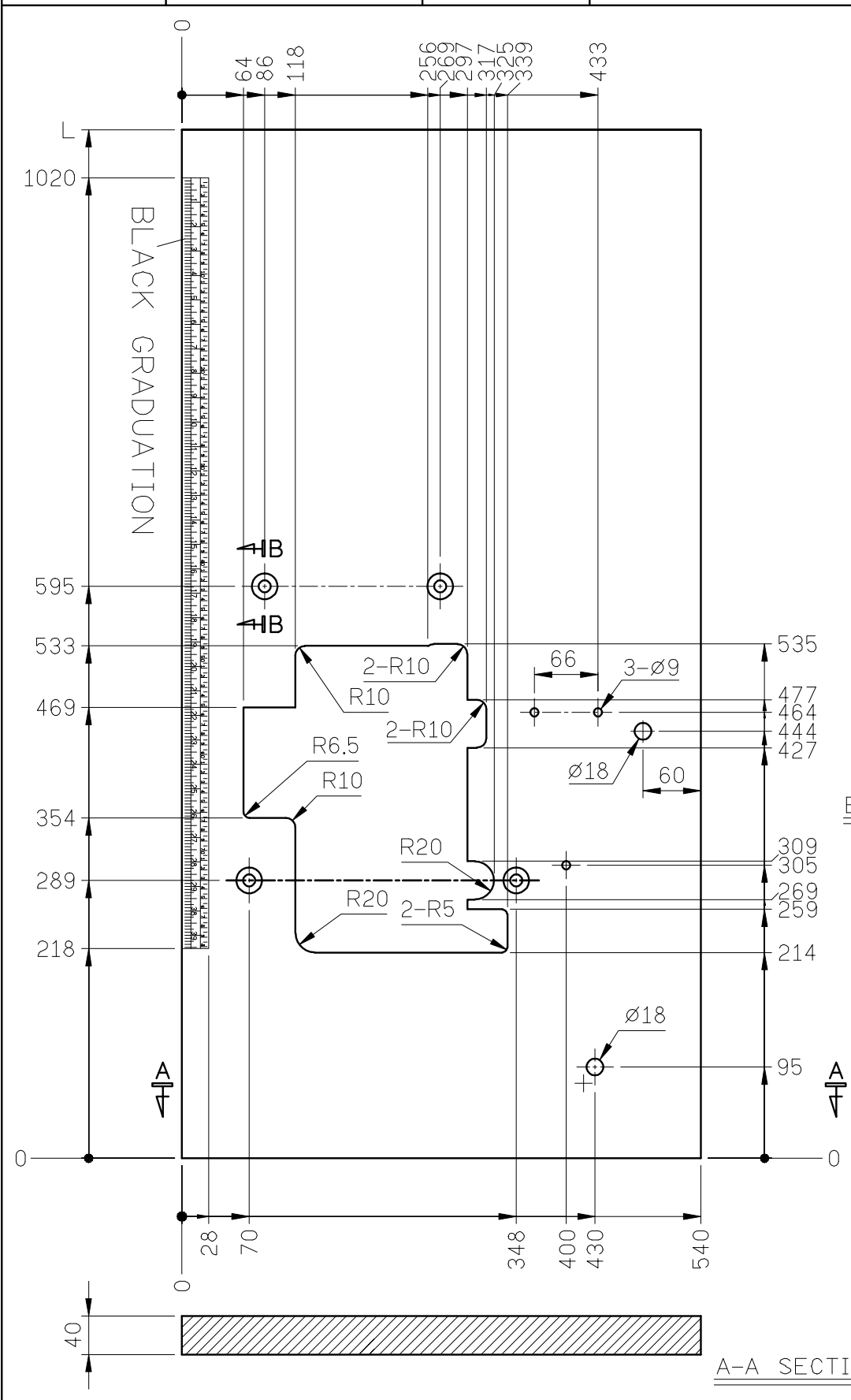
Mounting
Fully-submerged
Date
2015/04/07

單位/UNIT:mm
所有尺寸公差/TOLERANCE:±2
長度(L):1070/
重量(W):10.5kg±5%
長度(L):1200/
重量(W):11.4kg±5%

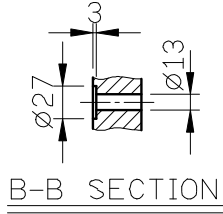


A-A SECTION

SIRUBA TABLE CUT - OUT	Series	Item Code	Subclass Remark	Mounting
	700DFT	700DFT-T1		Non-submerged
	988DFT			Date
				2013/12/23



FOR DFT
單位/UNIT:mm
所有尺寸公差/TOLERANCE:±2
長度(L):1070/重量(W):10.5kg±5%
長度(L):1200/重量(W):11.5kg±5%



A-A SECTION