

# SIRUBA

零件圖

PARTS BOOK

■ ASK-ACS100



<b>SIRUBA</b> PARTS LIST	Series	Parts Group	Subclass Remark	Page
	<b>ASK-ACS100</b>	<b>GS-ACS- NB/W</b>		1 / 2
				Date
				2020/12/29

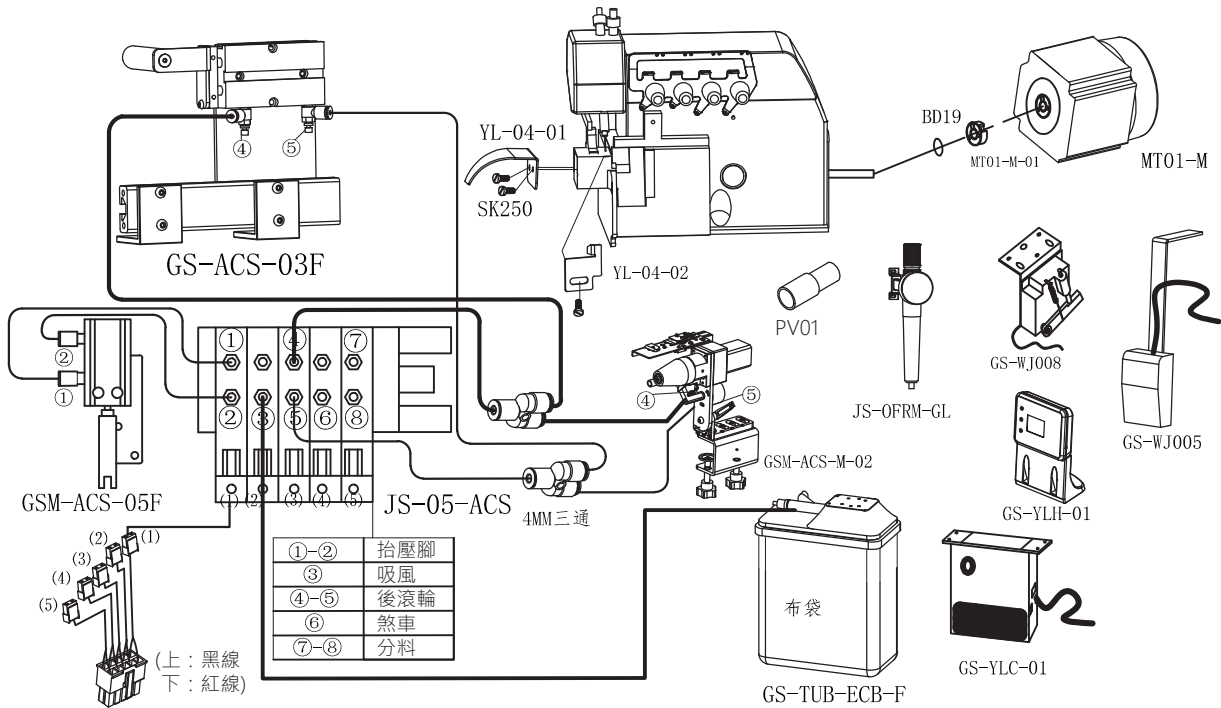
A

B

C

D

E



1

2

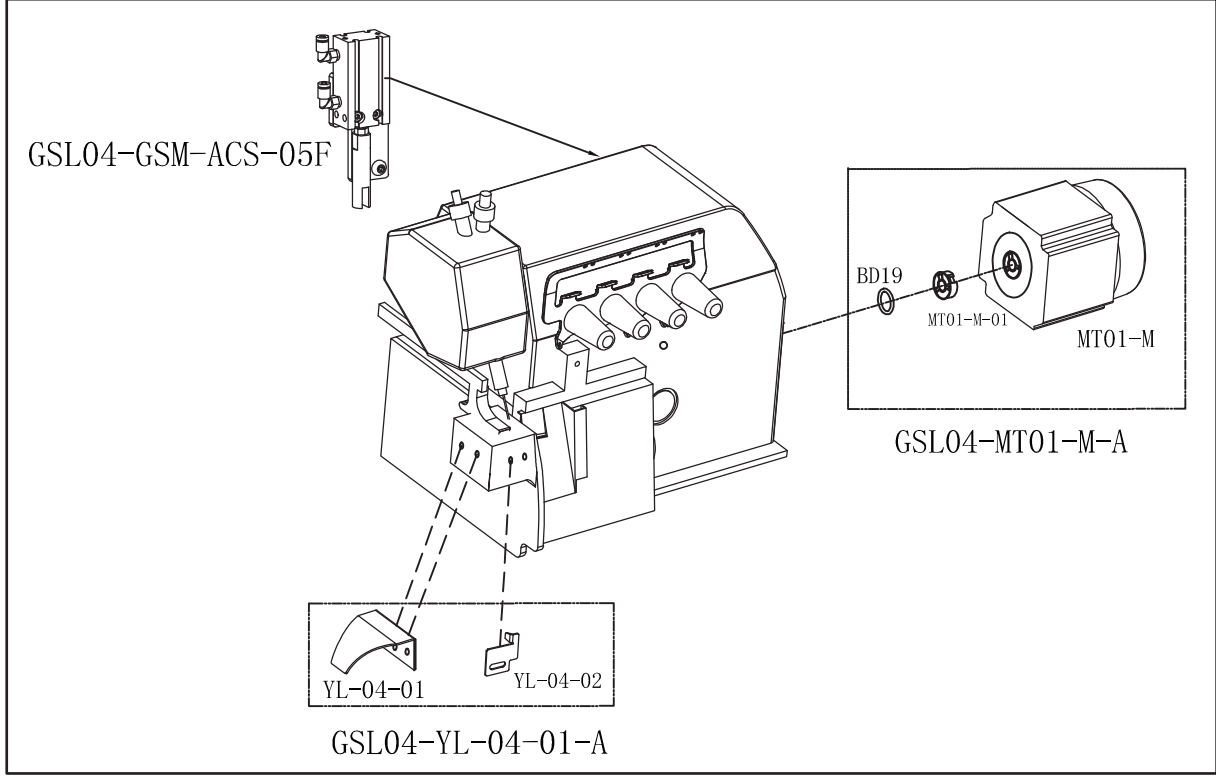
3

4

5

<b>SIRUBA</b> PARTS LIST	Series	Parts Group	Subclass Remark	Page
	<b>ASK-ACS100</b>	<b>GS-ACS- NB/W</b>		2 / 2
				Date
				2020/12/29

A

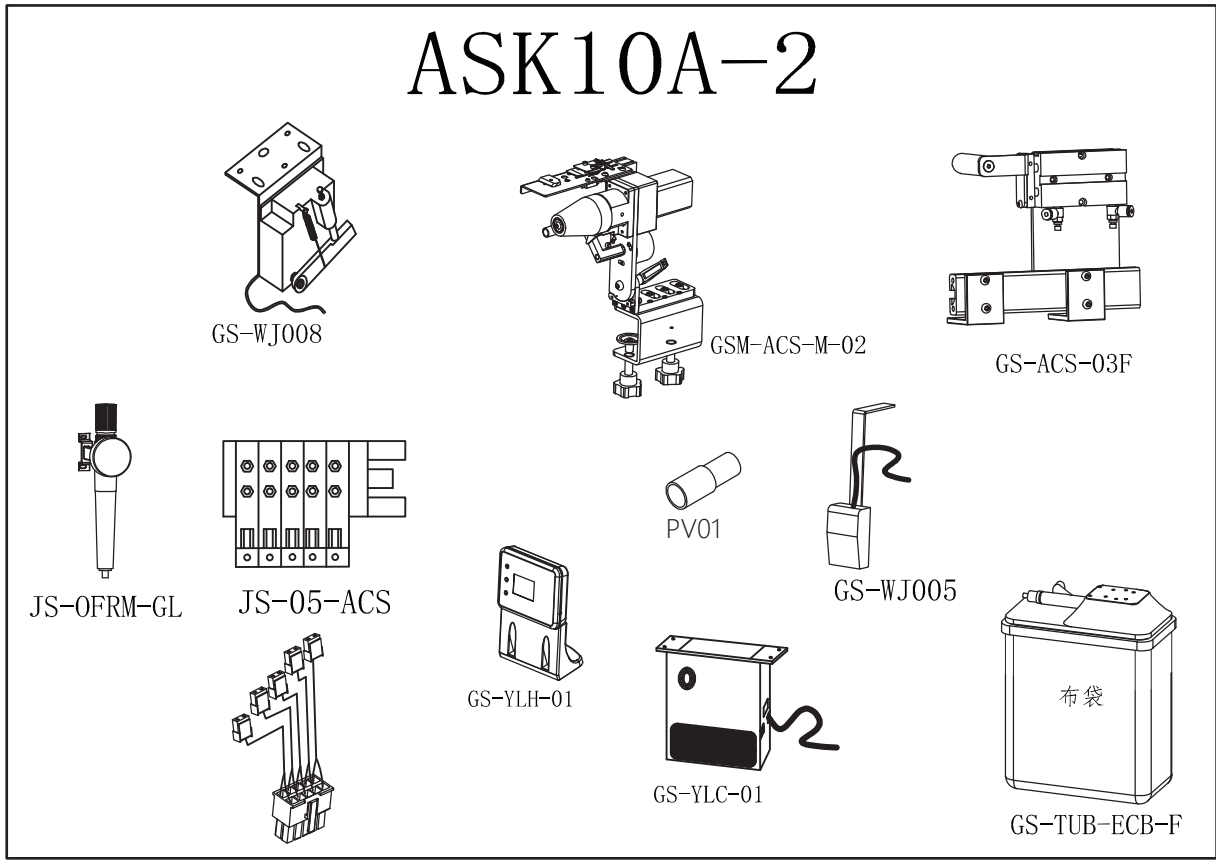


B

C

# ASK10A-2

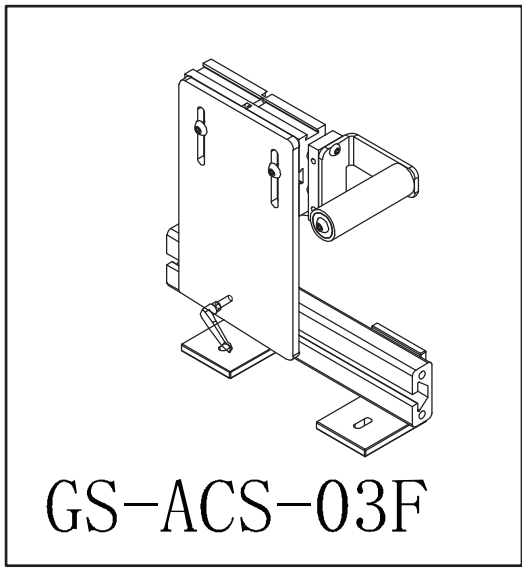
D



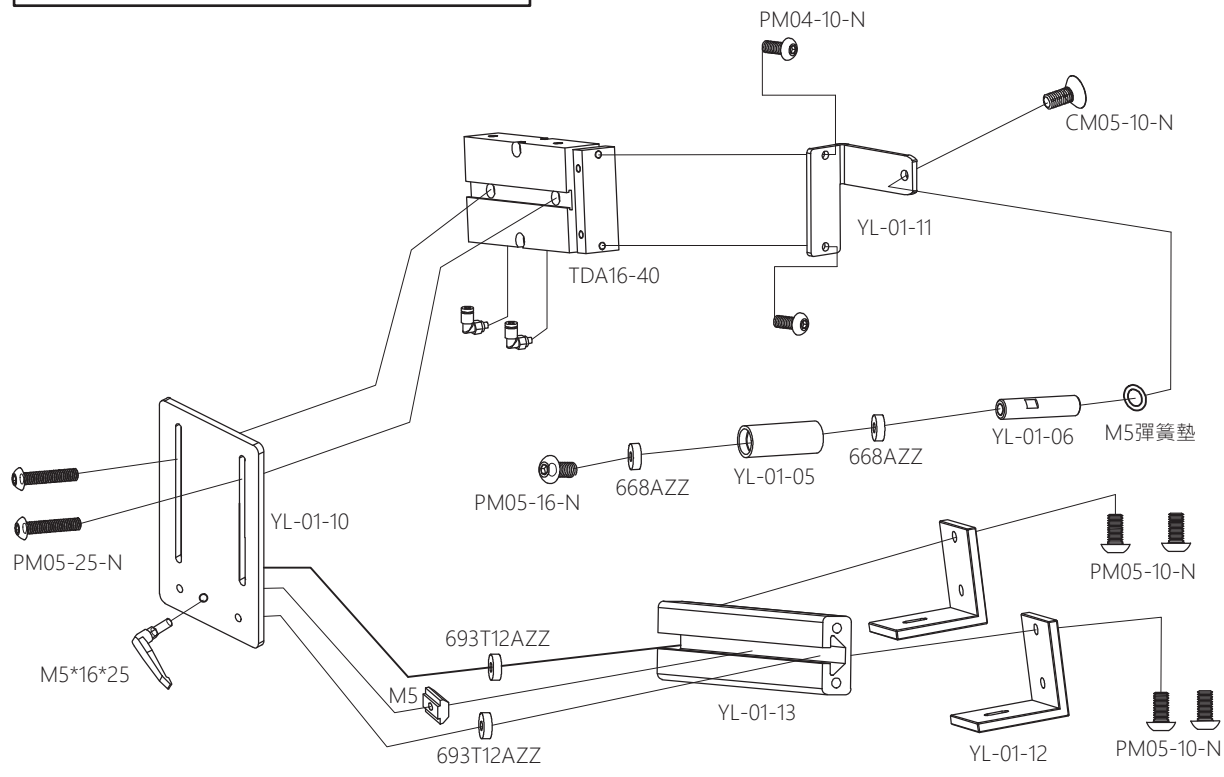
E

1                      2                      3                      4                      5

<b>SIRUBA</b> PARTS LIST	Series	Parts Group	Subclass Remark	Page
	ASK-ACS100	GS-ACS-03F		1 / 1
				Date
				2020/12/29



A  
B  
C  
D  
E



1 2 3 4 5

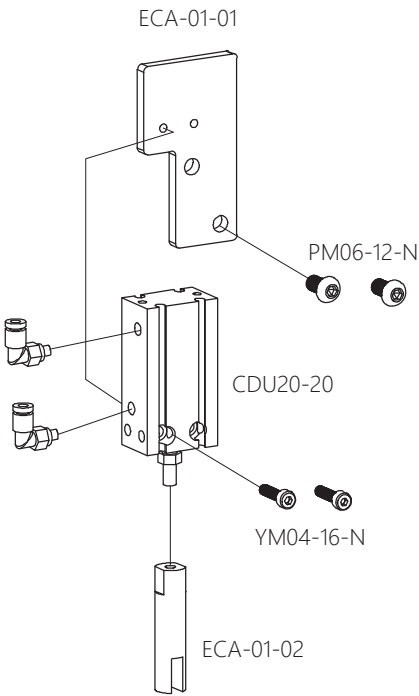
<b>SIRUBA</b> PARTS LIST	Series	Parts Group	Subclass Remark	Page
	ASK-ACS100	GSM-ACS-05F		1 / 1
				Date
				2020/12/29

A



B

C



D

E





高林股份有限公司  
KAULIN MFG. CO., LTD.

由於對產品的改良及更新，本產品零件圖及外觀的修改恕不事先通知！  
The specification and/or appearances of the equipment described in this parts list are  
subject to change because of modification which will without previous notice.  
GS-18V01.DEC.2020